

SUMMARY

Wires

Low voltage 4



Image is for illustrative purpose only

Series	00
Termination type	Female crimp
IP rating	50
AWG wire size	32.00 - 28.00
Cable Ø	2.30 - 2.70 mm
Status	active
Matching parts	FGG.00.304.CYCD27

Download

[Request a quote](#)

[Catalog](#)

TECHNICAL DETAILS

Mechanics

Shell Style/Model	PH*: Free receptacle, cable collet
Keying	1 key (alpha=0, plug: male contacts, receptacle: female contacts)
Housing Material	Brass (chrome plated [SAE AMS 2460]) shell and collet nut, nickel plated [SAE AMS QQ N 290] brass latch sleeve and mid pieces
Weight	4.24 g

Performance

Configuration	00.304 : 4 Low Voltage
Insulator	
Rated Current	2 Amps

Specifications

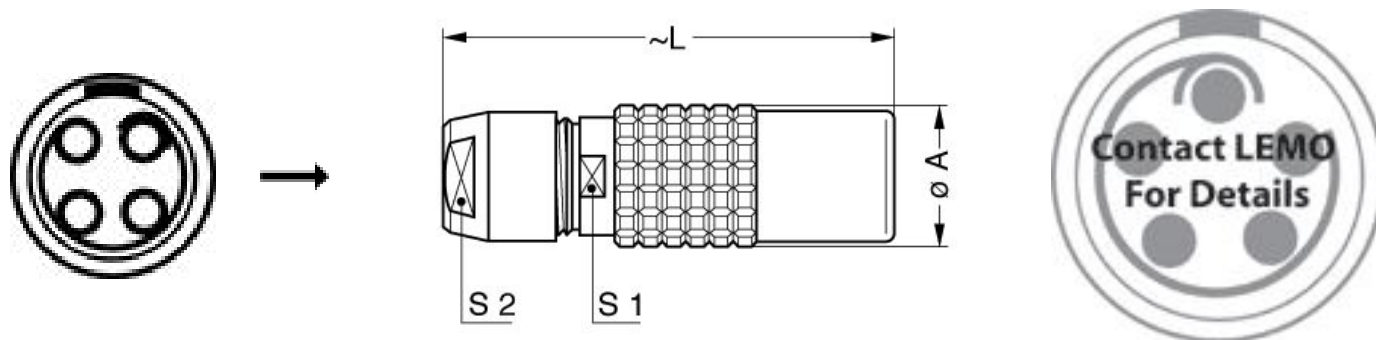
Contact Type: Crimp
Contact Dia.: 0.5 mm (0.02in)
Bucket Dia.: 0.45 mm (0.02in)
Min. Conductor: 0.09 mm² (AWG 28)
Max. Conductor: 0.035 mm² (AWG 32)
R (max): 8.7 mOhm
Vtest (contact-shell): 1050 V (AC), 1490 V (DC)
Vtest (contact-contact): 1050 V (AC), 1490 V (DC)

LEMO products and services are provided "as is". LEMO makes no warranties or representations with regard to LEMO product & services or use of them, express, implied or statutory, including for accuracy, completeness, or security. The user is fully responsible for his products and applications using LEMO components.

Others

Salt Spray Corrosion: >1000 hr

DRAWINGS



Dimensions

	A	L	S1	S2
mm.	6.8	26	5.5	5
in.	0,27	1,02	0,22	0,20

RECOMMENDED BY LEMO

Tools

Crimp Tool:	DPC.91.701.V
Crimp settings:	AWG/Selector = 28-30-32/4-3-3
Positionner:	DCE.91.050.0VM
Extractor:	DCF.91.050.2LT
Replacement contact:	EGG.00.654.ZZM

LEMO products and services are provided "as is". LEMO makes no warranties or representations with regard to LEMO product & services or use of them, express, implied or statutory, including for accuracy, completeness, or security. The user is fully responsible for his products and applications using LEMO components.

LEMO products and services are provided "as is". LEMO makes no warranties or representations with regard to LEMO product & services or use of them, express, implied or statutory, including for accuracy, completeness, or security. The user is fully responsible for his products and applications using LEMO components.

Mouser Electronics

Authorized Distributor

Click to View Pricing, Inventory, Delivery & Lifecycle Information:

[LEMO:](#)

[PHG.00.304.CYMD27](#)