

## SUMMARY

### # Wires

Low voltage 3



*Image is for illustrative purpose only*

Series	00
Termination type	Female solder
IP rating	50
AWG wire size	34.00 - 28.00
Cable Ø	2.80 - 3.50 mm
Status	obsolete
Alternative part	<a href="#">PHG.00.303.CLLD35Z</a>
Matching parts	<a href="#">FGG.00.303.CLAD30</a>

### Download

[Request a quote](#)

[Catalog](#)

## TECHNICAL DETAILS

### Mechanics

Shell Style/Model	PH*: Free receptacle, cable collet and nut for fitting a bend relief
Keying	1 key (alpha=0, plug: male contacts, receptacle: female contacts)
Housing Material	Brass (chrome plated [SAE AMS 2460]) shell and collet nut, nickel plated [SAE AMS QQ N 290] brass latch sleeve and mid pieces
Variant	Z : Nut for fitting a bend relief
Weight	3.69 g

### Performance

Configuration	00.303 : 3 Low Voltage
Insulator	L: PEEK (UL 94 / V-0/1.5)
Rated Current	3 Amps

### Specifications

Contact Type:	Solder
Contact Dia.:	0.5 mm (0.02in)
Bucket Dia.:	0.4 mm (0.016in)
Max. Solid Conductor:	0.09 mm <sup>2</sup> (AWG 28)
Max. Stranded Conductor:	0.05 mm <sup>2</sup> (AWG 30)
R (max):	8.7 mOhm

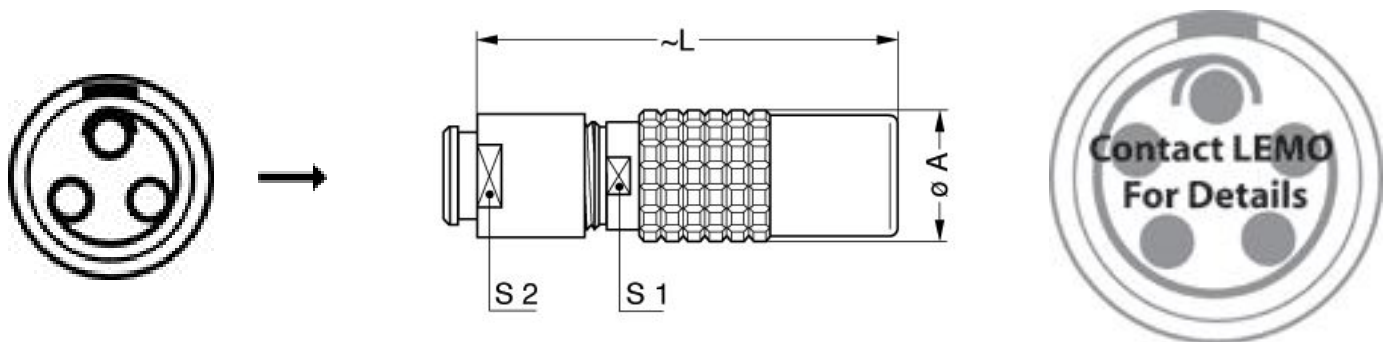
LEMO products and services are provided "as is". LEMO makes no warranties or representations with regard to LEMO product & services or use of them, express, implied or statutory, including for accuracy, completeness, or security. The user is fully responsible for his products and applications using LEMO components.

Vtest (contact-shell): 950 V (AC), 1300 V (DC)  
Vtest (contact-contact): 800 V (AC), 1100 V (DC)

## Others

Salt Spray Corrosion: >1000 hr

## DRAWINGS



## Dimensions

	A	L	S1	S2
mm.	6.8	34	5.5	6
in.	0,27	1,34	0,22	0,24

## RECOMMENDED BY LEMO

### Tools

### Cables

CMN.03.T28.031PGCE	PVC	GREY	
CMN.03.T28.031PGZE		Grey	
CMN.03.T28.031PNCE	PVC	Black	

LEMO products and services are provided "as is". LEMO makes no warranties or representations with regard to LEMO product & services or use of them, express, implied or statutory, including for accuracy, completeness, or security. The user is fully responsible for his products and applications using LEMO components.

CMN.03.T28.031PNZE			
3050	PVC	Black	
3081	PVC	Black	

*LEMO products and services are provided "as is". LEMO makes no warranties or representations with regard to LEMO product & services or use of them, express, implied or statutory, including for accuracy, completeness, or security. The user is fully responsible for his products and applications using LEMO components.*

# Mouser Electronics

Authorized Distributor

Click to View Pricing, Inventory, Delivery & Lifecycle Information:

[LEMO:](#)

[PHG.00.303.CLLD30Z](#)