

## SUMMARY



Image is for illustrative purpose only

### # Wires

Low voltage 3

|                  |                                   |
|------------------|-----------------------------------|
| Series           | 00                                |
| Termination type | Female solder                     |
| IP rating        | 50                                |
| AWG wire size    | 34.00 - 28.00                     |
| Cable Ø          | 2.80 - 3.50 mm                    |
| Status           | obsolete                          |
| Alternative part | <a href="#">PHG.00.303.CLLD35</a> |
| Matching parts   | <a href="#">FGG.00.303.CLAD30</a> |

### Download

[Request a quote](#)

[Catalog](#)

## TECHNICAL DETAILS

### Mechanics

|                   |   |
|-------------------|---|
| Shell Style/Model | PH*: Free receptacle, cable collet  |
| Keying            | 1 key (alpha=0, plug: male contacts, receptacle: female contacts)   |
| Housing Material  | Brass (chrome plated [SAE AMS 2460]) shell and collet nut, nickel plated [SAE AMS QQ N 290] brass latch sleeve and mid pieces |
| Weight            | 3.13 g  |

### Performance

|               |                           |
|---------------|---------------------------|
| Configuration | 00.303 : 3 Low Voltage    |
| Insulator     | L: PEEK (UL 94 / V-0/1.5) |
| Rated Current | 3 Amps                    |

### Specifications

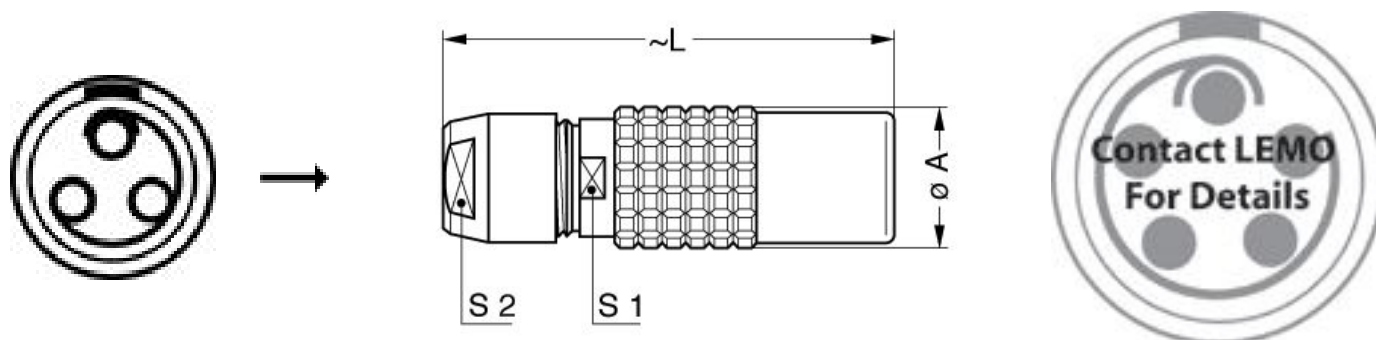
Contact Type: Solder  
Contact Dia.: 0.5 mm (0.02in)  
Bucket Dia.: 0.4 mm (0.016in)  
Max. Solid Conductor: 0.09 mm<sup>2</sup> (AWG 28)  
Max. Stranded Conductor: 0.05 mm<sup>2</sup> (AWG 30)  
R (max): 8.7 mOhm  
Vtest (contact-shell): 950 V (AC), 1300 V (DC)  
Vtest (contact-contact): 800 V (AC), 1100 V (DC)

LEMO products and services are provided "as is". LEMO makes no warranties or representations with regard to LEMO product & services or use of them, express, implied or statutory, including for accuracy, completeness, or security. The user is fully responsible for his products and applications using LEMO components.

## Others

Salt Spray Corrosion: >1000 hr

## DRAWINGS



## Dimensions

|     | A    | L    | S1   | S2   |
|-----|------|------|------|------|
| mm. | 6.8  | 26   | 5.5  | 5    |
| in. | 0,27 | 1,02 | 0,22 | 0,20 |


## RECOMMENDED BY LEMO

### Tools

### Cables

|                    |     |       |  |
|--------------------|-----|-------|--|
| CMN.03.T28.031PGCE | PVC | GREY  |  |
| CMN.03.T28.031PGZE |     | Grey  |  |
| CMN.03.T28.031PNCE | PVC | Black |  |
| CMN.03.T28.031PNZE |     |       |  |

LEMO products and services are provided "as is". LEMO makes no warranties or representations with regard to LEMO product & services or use of them, express, implied or statutory, including for accuracy, completeness, or security. The user is fully responsible for his products and applications using LEMO components.

|      |     |       |  |
|------|-----|-------|--|
| 3050 | PVC | Black |  |
| 3081 | PVC | Black |  |

*LEMO products and services are provided "as is". LEMO makes no warranties or representations with regard to LEMO product & services or use of them, express, implied or statutory, including for accuracy, completeness, or security. The user is fully responsible for his products and applications using LEMO components.*

# Mouser Electronics

Authorized Distributor

Click to View Pricing, Inventory, Delivery & Lifecycle Information:

[LEMO:](#)

[PHG.00.303.CLLD30](#)