

## SUMMARY

### # Wires

Low voltage 10



*Image is for illustrative purpose only*

Series	2M
Termination type	Female crimp
IP rating	68
AWG wire size	24.00 - 20.00
Cable Ø	6.50 - 13.00 mm
Status	active
Matching parts	<a href="#">FMN.2M.310.XLCM</a>

### Download

[Request a quote](#)

[Catalog](#)

## TECHNICAL DETAILS

### Mechanics

Shell Style/Model	PF*: Fixed receptacle with square flange, with MIL-DTL-38999L shell thread
Keying	3 keys (beta=165, gamma=30, plug: male contacts, receptacle: female contacts)
Housing Material	Aluminium (nickel plated [SAE AMS QQ N 290], anthracite color) shell and nut, other pieces bronze/brass
Weight	11.21 g

### Performance

Configuration	2M.310 : 10 Low Voltage
Insulator	L: PEEK
Rated Current	8 Amps

### Specifications

Contact Type: Crimp  
Contact Retention: 30 N  
Contact Dia.: 0.9 mm (0.035in)  
Bucket Dia.: 1.1 mm (0.043in)  
Min. Conductor: 0.25 mm<sup>2</sup> (AWG 24)  
Max. Conductor: 0.5 mm<sup>2</sup> (AWG 20)  
R (max): 4.8 mOhm  
Test voltage (kV rms) Contact-contact: 1.8

*LEMO products and services are provided "as is". LEMO makes no warranties or representations with regard to LEMO product & services or use of them, express, implied or statutory, including for accuracy, completeness, or security. The user is fully responsible for his products and applications using LEMO components.*

Test voltage (kV rms) Contact-shell: 1.2

## Others

Endurance (Shell): 3000 mating cycles

Temp (min / max): -20°C / +200°C

Humidity (max): 21 days at 95%

Gunfire vibration: 25 Hz - 2000 Hz, 3 axis (Apache helicopter)

Vibration-Sine: 30 g, 3 axes, 12 hr [10 Hz - 2000 Hz]

Vibration-Random: 37.8 g rms - 3 axes, 4 hr amb [50 Hz - 2000 Hz]

Shock Resistance: 300 g [ 3 ms]

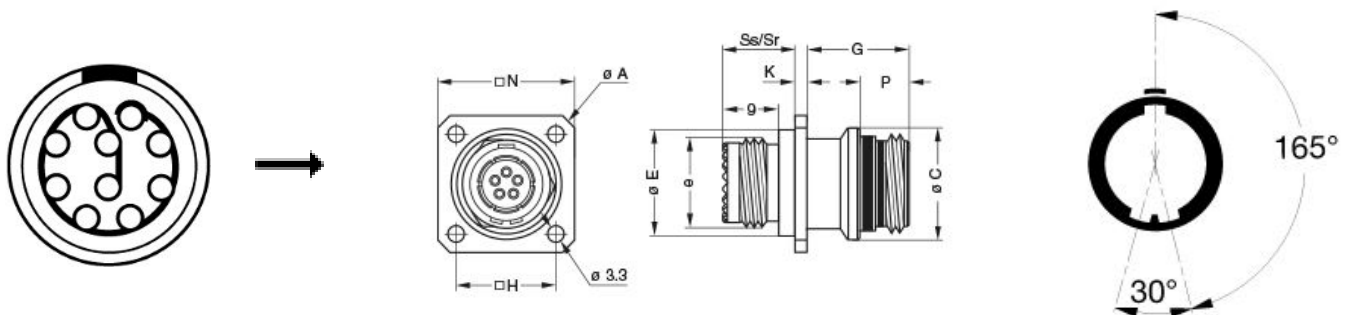
Lighting strike EIA 364-75: 10K amps - 6 times

Thermal shock: 5 cycles: -65°C to +150°C

EMI Shielding EIA 364-66A: >= 80 dB (1 GHz), >=70 dB (3 GHz), >= 58 dB (6 GHz), >= 40 dB (10 GHz)

Salt Spray Corrosion: max. 48 hr

## DRAWINGS



## Dimensions

	A	C	E	G	H	K	N	Sr	Ss	e
mm.	26.9	17.2	15.5	12.8	15.1	1.5	20.6	12.2	12.2	M15x1.0
in.	1,06	0,68	0,61	0,50	0,59	0,06	0,81	0,48	0,48	

## RECOMMENDED BY LEMO

LEMO products and services are provided "as is". LEMO makes no warranties or representations with regard to LEMO product & services or use of them, express, implied or statutory, including for accuracy, completeness, or security. The user is fully responsible for his products and applications using LEMO components.

## Tools

Crimp Tool:	<a href="#">DPC.91.701.V</a>
Crimp settings:	AWG/Selector = 20-22-24/6-5-5
Positionner:	<a href="#">DCE.91.090.3MVM</a>
Extractor:	<a href="#">DCF.93.090.4LT</a>
Replacement contact:	EGN.0M.660.ZZM

*LEMO products and services are provided "as is". LEMO makes no warranties or representations with regard to LEMO product & services or use of them, express, implied or statutory, including for accuracy, completeness, or security. The user is fully responsible for his products and applications using LEMO components.*

# Mouser Electronics

Authorized Distributor

Click to View Pricing, Inventory, Delivery & Lifecycle Information:

[LEMO:](#)

[PFN.2M.310.XLMM](#)