

SUMMARY

Wires

Low voltage 3



Image is for illustrative purpose only

| | |
|------------------|---------------------------------|
| Series | 0M |
| Termination type | Male crimp |
| IP rating | 68 |
| AWG wire size | 24.00 - 20.00 |
| Cable Ø | 4.00 - 8.00 mm |
| Status | active |
| Matching parts | FGS.0M.303.CLMT |

Download

[Request a quote](#)

[Catalog](#)

TECHNICAL DETAILS

Mechanics

| | |
|-------------------|---|
| Shell Style/Model | PE*: Fixed receptacle, nut fixing and mold stop |
| Keying | 3 keys (beta=155, gamma=50, plug: female contacts, receptacle: male contacts) |
| Housing Material | Brass (chrome plated [SAE AMS 2460]) shell and collet nut, nickel plated [SAE AMS QQ N 290] brass latch sleeve and mid pieces |
| Weight | 7.31 g |

Performance

| | |
|---------------|------------------------|
| Configuration | 0M.303 : 3 Low Voltage |
| Insulator | L: PEEK |
| Rated Current | 8 Amps |

Specifications

Contact Type: Crimp
Contact Retention: 30 N
Contact Dia.: 0.9 mm (0.035in)
Bucket Dia.: 1.1 mm (0.043in)
Min. Conductor: 0.25 mm² (AWG 24)
Max. Conductor: 0.5 mm² (AWG 20)
R (max): 4.8 mOhm
Test voltage (kV rms) Contact-contact: 1.70

LEMO products and services are provided "as is". LEMO makes no warranties or representations with regard to LEMO product & services or use of them, express, implied or statutory, including for accuracy, completeness, or security. The user is fully responsible for his products and applications using LEMO components.

Test voltage (kV rms) Contact-shell: 1.4

Others

Endurance (Shell): 3000 mating cycles

Temp (min / max): -55°C / +200°C

Humidity (max): 21 days at 95%

Gunfire vibration: 25 Hz - 2000 Hz, 3 axis (Apache helicopter)

Vibration-Sine: 30 g, 3 axes, 12 hr [10 Hz - 2000 Hz]

Vibration-Random: 37.8 g rms - 3 axes, 4 hr amb [50 Hz - 2000 Hz]

Shock Resistance: 300 g [3 ms]

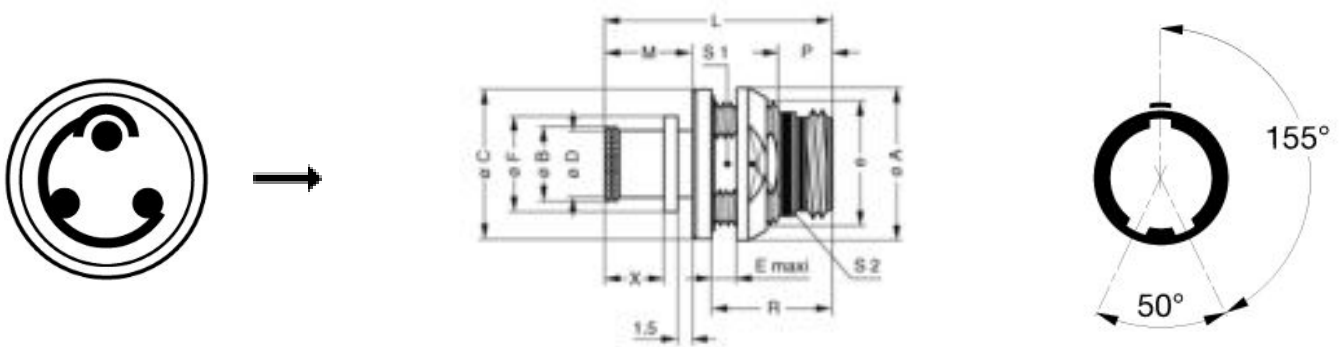
Lighting strike EIA 364-75: 10K amps - 6 times

Thermal shock: 5 cycles: -65°C to +150°C

EMI Shielding EIA 364-66A: >= 80 dB (1 GHz), >=70 dB (3 GHz), >= 58 dB (6 GHz), >= 40 dB (10 GHz)

Salt Spray Corrosion: >1000 hr

DRAWINGS



Dimensions

| | A | B | C | D | E | Lr | Ls | M | P | R | S1 | S2 | e |
|-----|------|------|------|------|------|------|------|------|------|------|------|------|----------|
| mm. | 17 | 8.8 | 16.8 | 8 | 5 | 25.6 | 25.6 | 9.7 | 5.3 | 13.8 | 11.5 | 14 | M13x0.75 |
| in. | 0,67 | 0,35 | 0,66 | 0,31 | 0,20 | 1,01 | 1,01 | 0,38 | 0,21 | 0,54 | 0,45 | 0,55 | |

RECOMMENDED BY LEMO

LEMO products and services are provided "as is". LEMO makes no warranties or representations with regard to LEMO product & services or use of them, express, implied or statutory, including for accuracy, completeness, or security. The user is fully responsible for his products and applications using LEMO components.

Tools

| | |
|----------------------|---------------------------------|
| Crimp Tool: | DPC.91.701.V |
| Crimp settings: | AWG/Selector = 20-22-24/6-5-5 |
| Positionner: | DCE.91.090.5MVC |
| Extractor: | DCF.93.090.4LT |
| Replacement contact: | FGN.0M.560.ZZC |
| Spanner wrench: | DCM.65.000.4PA |

LEMO products and services are provided "as is". LEMO makes no warranties or representations with regard to LEMO product & services or use of them, express, implied or statutory, including for accuracy, completeness, or security. The user is fully responsible for his products and applications using LEMO components.

Mouser Electronics

Authorized Distributor

Click to View Pricing, Inventory, Delivery & Lifecycle Information:

[LEMO:](#)

[PES.0M.303.CLCT](#)