

SUMMARY

Wires

Low voltage 6



Image is for illustrative purpose only

Series 3K
Termination type Female crimp
IP rating 68
AWG wire size 18.00 - 14.00
Cable Ø 9.60 - 10.00 mm
Status active

Download

[Request a quote](#)

[Catalog](#)

TECHNICAL DETAILS

Mechanics

Shell Style/Model PE*: Fixed receptacle, nut fixing, cable collet (back panel mounting)
Keying 1 key (alpha=0, plug: male contacts, receptacle: female contacts)
Housing Material Special housing (see notes for details)
Variant E : Gasket and O-ring in EPDM

Performance

Configuration 3K.306 : 6 Low Voltage
Insulator Y: PEEK for crimp contacts
Rated Current 17 Amps

Specifications

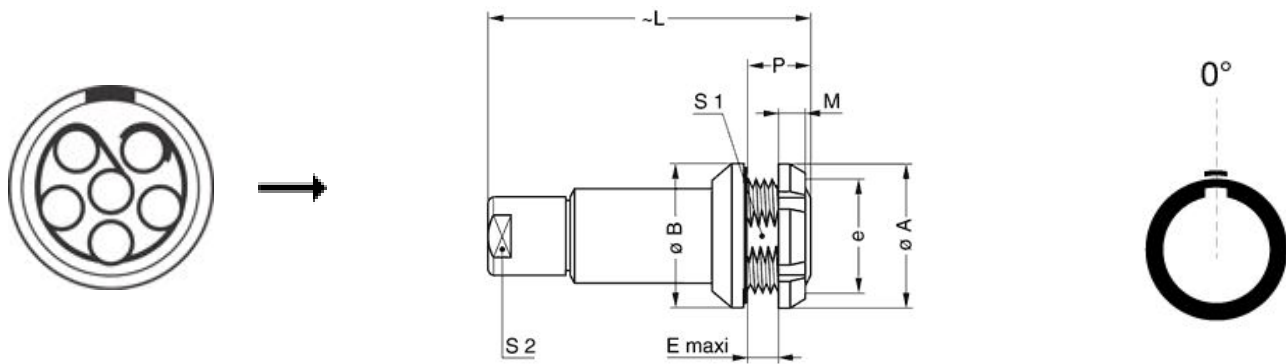
Contact Type: Crimp
Contact Retention: 50 N
Contact Dia.: 1.6 mm (0.063in)
Bucket Dia.: 1.9 mm (0.075in)
Min. Conductor: 1 mm² (AWG 18)
Max. Conductor: 1.5 mm² (AWG 14)
R (max): 3.5 mOhm
Vtest (contact-shell): 1800 V (AC), 2550 V (DC)
Vtest (contact-contact): 1900 V (AC), 2700 V (DC)

LEMO products and services are provided "as is". LEMO makes no warranties or representations with regard to LEMO product & services or use of them, express, implied or statutory, including for accuracy, completeness, or security. The user is fully responsible for his products and applications using LEMO components.

Others

Endurance (Shell): 5000 mating cycles
Temp (min / max): -55°C / +200°C
Humidity (max): <=95% [at 60 deg C / 140 F]
Vibration: 15 g [10 Hz - 2000 Hz]
Shock Resistance: 100 g [6 ms]
Climatical Category: 50/175/21
Shielding (min): 95 dB (10 MHz)
Shielding (min): 80 dB (1 GHz)

DRAWINGS



Dimensions

| | A | B | E | L | M | P | S1 | S2 | e |
|-----|------|------|------|------|------|------|------|------|---------|
| mm. | 30 | 31 | 7.5 | 65 | 4.5 | 12 | 22.5 | 15 | M24x1.0 |
| in. | 1,18 | 1,22 | 0,30 | 2,56 | 0,18 | 0,47 | 0,89 | 0,59 | |

RECOMMENDED BY LEMO

Tools

Crimp Tool: [DPC.91.101.A](#)

Crimp settings: AWG/Selector = 14-16-18/7-6-5

LEMO products and services are provided "as is". LEMO makes no warranties or representations with regard to LEMO product & services or use of them, express, implied or statutory, including for accuracy, completeness, or security. The user is fully responsible for his products and applications using LEMO components.

Positionner: [DCE.91.163.BVCM](#)
Extractor: [DCF.91.163.5LT](#)
Replacement contact: EGG.3B.670.ZZM
Spanner wrench: [DCD.3E.030.PA150](#)

LEMO products and services are provided "as is". LEMO makes no warranties or representations with regard to LEMO product & services or use of them, express, implied or statutory, including for accuracy, completeness, or security. The user is fully responsible for his products and applications using LEMO components.

Mouser Electronics

Authorized Distributor

Click to View Pricing, Inventory, Delivery & Lifecycle Information:

[LEMO:](#)

[PEG.3K.306.YYMC10E](#)