

SUMMARY

Wires

Low	13
High	0
Coax	0
Triax	0
Quad	0
Fiber	0
Fluidic	0



Download

[Request a quote](#)

[Catalog](#)

Series

Termination type	Female solder
IP rating	50
Cable Ø	0.00 - 0.00 mm
Matching parts	xxx

TECHNICAL DETAILS

Mechanics

Shell Style/Model	XL_.XP*: Fixed socket, key (N) or keys (P, S and T),red, with nut
Keying	3 key (alpha=30, plug: male contacts, receptacle: female contacts)
Housing Material	
Cable Fixing	∅ 0 - 0 mm
Variant	R : Red front nut

Performance

Configuration	M13 : 13 Low Voltage
Insulator	L: PEEK
Rated Current	

Specifications

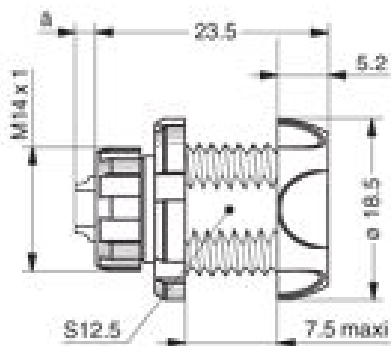
Test voltage (kV rms) Contact-contact: 1.05
Air clearance min. (mm) or Creepage distance min. (mm): 0.5

Others

F ret (average): 130 N
Working temperature: -50 deg C to + 170 deg C
IP Rating: 50

DRAWINGS

Draws



Dimensions

	A	L	N	e
mm.	18.5	25.7	23.5	M14x1
in.	0.73	1.01	0.93	

RECOMMENDED BY LEMO

Tools

None

Cables

Mouser Electronics

Authorized Distributor

Click to View Pricing, Inventory, Delivery & Lifecycle Information:

[LEMO:](#)

[XLN.M13.GLLR](#)