

## SUMMARY

### # Wires

Low voltage 7



*Image is for illustrative purpose only*

|                  |                                   |
|------------------|-----------------------------------|
| Series           | 0B                                |
| Termination type | Female solder                     |
| IP rating        | 68                                |
| AWG wire size    | 34.00 - 28.00                     |
| Cable Ø          | 0.00 - 0.00 mm                    |
| Status           | active                            |
| Matching parts   | <a href="#">FGG.0B.307.KLAD52</a> |

### Download

[Request a quote](#)

[Catalog](#)

## TECHNICAL DETAILS

### Mechanics

|                   |   |
|-------------------|---|
| Shell Style/Model | HG*: Fixed receptacle, nut fixing, watertight or vacuum-tight   |
| Keying            | 1 key (alpha=0, plug: male contacts, receptacle: female contacts)   |
| Housing Material  | Brass (black chrome) shell and collet nut, nickel plated [SAE AMS QQ N 290] brass latch sleeve and mid pieces |
| Variant           | P : Watertight  |
| Weight            | 5.36 g  |

### Performance

|               |                           |
|---------------|---------------------------|
| Configuration | 0B.307 : 7 Low Voltage    |
| Insulator     | L: PEEK (UL 94 / V-0/1.5) |
| Rated Current | 2.5 Amps                  |

### Specifications

Contact Type: Solder  
Contact Dia.: 0.5 mm (0.02in)  
Bucket Dia.: 0.45 mm (0.018in)  
Max. Solid Conductor: 0.09 mm<sup>2</sup> (AWG 28)  
Max. Stranded Conductor: 0.09 mm<sup>2</sup> (AWG 28)  
R (max): 8.7 mOhm

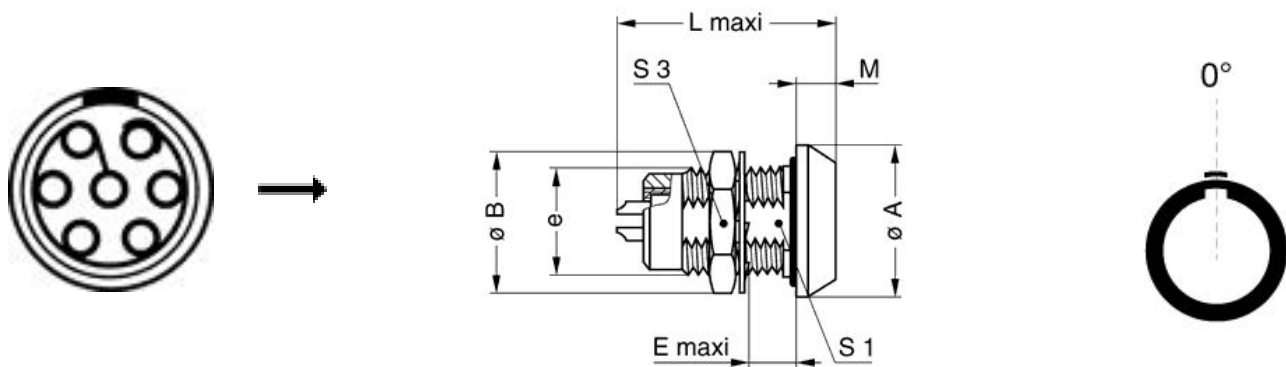
*LEMO products and services are provided "as is". LEMO makes no warranties or representations with regard to LEMO product & services or use of them, express, implied or statutory, including for accuracy, completeness, or security. The user is fully responsible for his products and applications using LEMO components.*

Vtest (contact-shell): 700 V (AC), 990 V (DC)  
 Vtest (contact-contact): 800 V (AC), 1130 V (DC)

## Others

Endurance (Shell): 5000  
 Temp (min / max): -20°C / +100°C  
 Humidity (max): <=95% [at 60 deg C / 140 F]  
 Vibration: 15 g [10 Hz - 2000 Hz]  
 Shock Resistance: 100 g [ 6 ms]  
 Climatical Category: 20/80/21  
 Shielding (min): 75 dB (10 MHz)  
 Shielding (min): 40 dB (1 GHz)  
 Salt Spray Corrosion: >1000 hr  
 Pressure: 60 bars

## DRAWINGS



## Dimensions

|     | A    | B    | E    | L    | M    | S1   | S3   | e      |
|-----|------|------|------|------|------|------|------|--------|
| mm. | 13   | 12.5 | 7    | 21.5 | 3    | 8.2  | 11   | M9x0.6 |
| in. | 0,51 | 0,49 | 0,28 | 0,85 | 0,12 | 0,32 | 0,43 |        |

## RECOMMENDED BY LEMO

LEMO products and services are provided "as is". LEMO makes no warranties or representations with regard to LEMO product & services or use of them, express, implied or statutory, including for accuracy, completeness, or security. The user is fully responsible for his products and applications using LEMO components.

## Tools

## Cables

|                    |     |       |   |
|--------------------|-----|-------|---|
| CMN.07.T28.044PGZE |     | Grey  |  |
| CMN.07.T28.044PNZE |     |       |  |
| 7041               | PVC | Grey  |   |
| 7050               | PVC | Black |   |
| 717920             | PVC | Grey  |   |
| CTR.75.030.121875G | PVC | Grey  |   |

LEMO products and services are provided "as is". LEMO makes no warranties or representations with regard to LEMO product & services or use of them, express, implied or statutory, including for accuracy, completeness, or security. The user is fully responsible for his products and applications using LEMO components.

# Mouser Electronics

Authorized Distributor

Click to View Pricing, Inventory, Delivery & Lifecycle Information:

[LEMO:](#)

[HGG.0B.307.KLLP](#)