

SUMMARY

Wires

Low voltage 4



Image is for illustrative purpose only

Series 00
Termination type Female print PCB
IP rating 68
AWG wire size 34.00 - 28.00
Cable Ø 0.00 - 0.00 mm
Status active
Matching parts [FGG.00.304.CLAD22](#)

Download

[Request a quote](#)
[PCB Eagle Pattern](#)
[PCB Altium Pattern](#)
[PCB KiCad Pattern](#)
[Catalog](#)

TECHNICAL DETAILS

Mechanics

Shell Style/Model HG*: Fixed receptacle, nut fixing, watertight or vacuum-tight
Keying 1 key (alpha=0, plug: male contacts, receptacle: female contacts)
Housing Material Brass (chrome plated [SAE AMS 2460]) shell and collet nut, nickel plated [SAE AMS QQ N 290] brass latch sleeve and mid pieces
Variant P : Watertight
Weight 3.70 g

Performance

Configuration 00.304 : 4 Low Voltage
Insulator L: PEEK (UL 94 / V-0/1.5)
Rated Current 2 Amps

Specifications

Contact Type: Print (straight)
Vtest (contact-shell): 650 V (AC), 920 V (DC)
Vtest (contact-contact): 800 V (AC), 1130 V (DC)

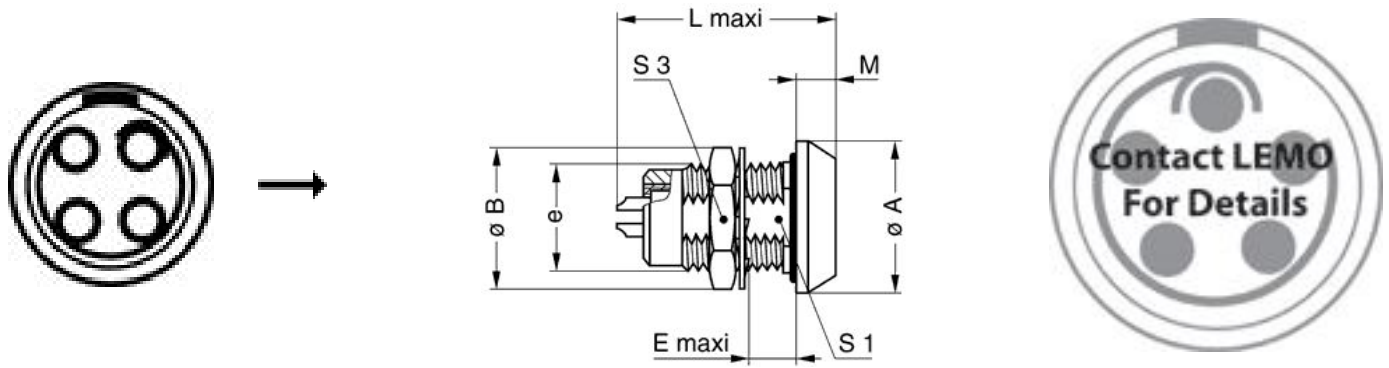
Others

Temp (min / max): -20° C / +100° C

LEMO products and services are provided "as is". LEMO makes no warranties or representations with regard to LEMO product & services or use of them, express, implied or statutory, including for accuracy, completeness, or security. The user is fully responsible for his products and applications using LEMO components.

Salt Spray Corrosion: >1000 hr
Pressure: 60 bars

DRAWINGS



Dimensions

	A	B	E	L	M	S3	e
mm.	11	10.3	8	18	1.5	9	M7x0.5
in.	0,43	0,41	0,31	0,71	0,06	0,35	

RECOMMENDED BY LEMO

Tools

LEMO products and services are provided "as is". LEMO makes no warranties or representations with regard to LEMO product & services or use of them, express, implied or statutory, including for accuracy, completeness, or security. The user is fully responsible for his products and applications using LEMO components.

Mouser Electronics

Authorized Distributor

Click to View Pricing, Inventory, Delivery & Lifecycle Information:

[LEMO:](#)

[HGG.00.304.CLNP](#)