

SUMMARY

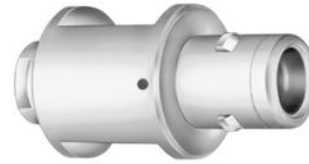


Image is for illustrative purpose only

Wires

Low voltage 18

Series	3E
Termination type	Male solder
IP rating	68
AWG wire size	30.00 - 22.00
Cable Ø	7.60 - 8.00 mm
Status	active
Matching parts	PCA.3E.318.SLLC80

Download

[Request a quote](#)

[Catalog](#)

TECHNICAL DETAILS

Mechanics

Shell Style/Model	FZP*: Straight plug for remote handling, cable collet and inner anti-rotating device
Keying	Hermaphroditic keying (half moon insert) with male pin 1
Housing Material	Stainless steel shell and collet nut, nickel plated [SAE AMS QQ N 290] brass latch sleeve and mid pieces
Weight	86.19 g

Performance

Configuration	3E.318 : 18 Low Voltage
Insulator	L: PEEK (UL 94 / V-0/1.5)
Rated Current	6 Amps

Specifications

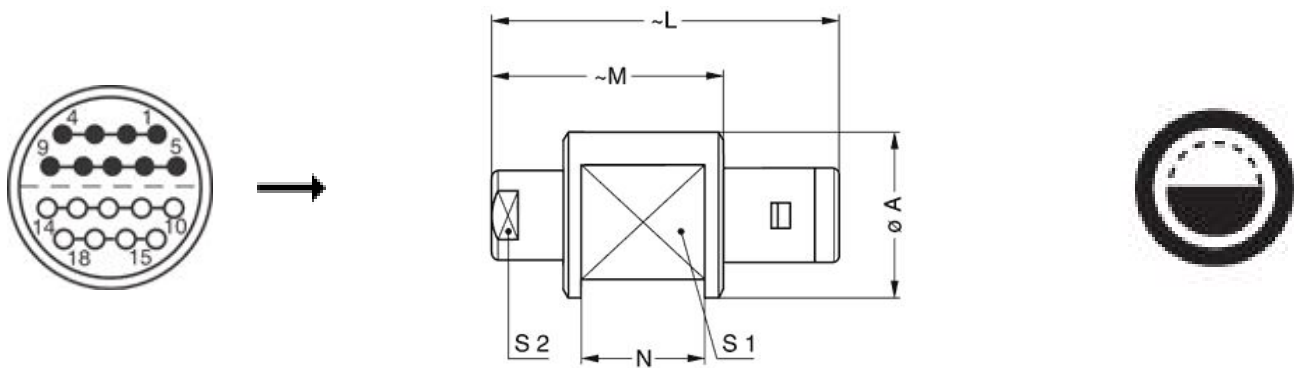
Contact Type: Solder
Contact Dia.: 0.9 mm (0.0354in)
Bucket Dia.: 0.8 mm (0.031in)
Max. Solid Conductor: 0.34 mm² (AWG 22)
R (max): 4.8 mOhm
Vtest: 1060 V (AC), 1500 V (DC)

Others

LEMO products and services are provided "as is". LEMO makes no warranties or representations with regard to LEMO product & services or use of them, express, implied or statutory, including for accuracy, completeness, or security. The user is fully responsible for his products and applications using LEMO components.

Endurance (Shell): 5000 mating cycles
 Temp (min / max): -55°C / +200°C
 Humidity (max): <=95% [at 60 deg C / 140 F]
 Vibration: 15 g [10 Hz - 2000 Hz]
 Shock Resistance: 100 g [6 ms]
 Climatical Category: 50/175/21
 Shielding (min): 95 dB (10 MHz)
 Shielding (min): 80 dB (1 GHz)

DRAWINGS



Dimensions

	A	L	M	N	S1	S2
mm.	23	61	41	20	19	15
in.	0,91	2,40	1,61	0,79	0,75	0,59

RECOMMENDED BY LEMO

Tools

Spanner wrench: [DCD.3E.030.PA150](#)

Caps: [BFA.3E.100.NAS](#)

LEMO products and services are provided "as is". LEMO makes no warranties or representations with regard to LEMO product & services or use of them, express, implied or statutory, including for accuracy, completeness, or security. The user is fully responsible for his products and applications using LEMO components.

LEMO products and services are provided "as is". LEMO makes no warranties or representations with regard to LEMO product & services or use of them, express, implied or statutory, including for accuracy, completeness, or security. The user is fully responsible for his products and applications using LEMO components.

Mouser Electronics

Authorized Distributor

Click to View Pricing, Inventory, Delivery & Lifecycle Information:

[LEMO:](#)

[FZP.3E.318.SLAC80](#)