

SUMMARY

Wires

Low voltage 14



Image is for illustrative purpose only

Series	5N
Termination type	Male solder
IP rating	66
AWG wire size	22.00 - 14.00
Cable Ø	14.60 - 15.50 mm
Status	active
Matching parts	PBG.5N.314.TLLY15

Download

[Request a quote](#)

[Catalog](#)

TECHNICAL DETAILS

Mechanics

Shell Style/Model	FZG*: Straight plug with positioning pin, cable clamp and smooth handling surface
Keying	Push-Pull latch for manipulator. Male contacts
Housing Material	Stainless steel shell, collet nut and latch sleeve, nickel plated [SAE AMS QQ N 290] brass mid pieces
Weight	987.44 g

Performance

Configuration	5N.314 : 14 Low Voltage
Insulator	L: PEEK (UL 94 / V-0/1.5)
Rated Current	

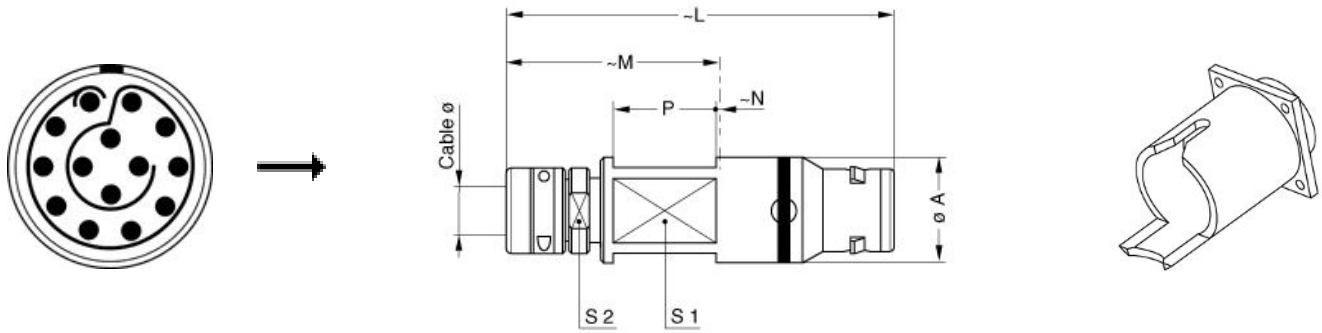
Specifications

Contact Type: Solder
Contact Dia.: 2 mm (0.079in)
Bucket Dia.: 1.8 mm (0.071in)
Max. Solid Conductor: 1.5 mm² (AWG 14)
Max. Stranded Conductor: 1.5 mm² (AWG 16)
R (max): 3.3 mOhm

Others

LEMO products and services are provided "as is". LEMO makes no warranties or representations with regard to LEMO product & services or use of them, express, implied or statutory, including for accuracy, completeness, or security. The user is fully responsible for his products and applications using LEMO components.

DRAWINGS



Dimensions

	A	L	M	N	P	S1	S2
mm.	45	155	90	1	50	39	40
in.	1,77	6,10	3,54	0,04	1,97	1,54	1,57

RECOMMENDED BY LEMO

Tools

LEMO products and services are provided "as is". LEMO makes no warranties or representations with regard to LEMO product & services or use of them, express, implied or statutory, including for accuracy, completeness, or security. The user is fully responsible for his products and applications using LEMO components.

Mouser Electronics

Authorized Distributor

Click to View Pricing, Inventory, Delivery & Lifecycle Information:

[LEMO:](#)

[FZG.5N.314.TLAY15](#)