

SUMMARY

Wires

Coax 1

Series 1V
Termination type Male solder Coaxial
IP rating 68
AWG wire size 0.00 - 0.00
Cable Ø 5.10 - 5.50 mm
Status active
Matching parts [EVP.1V.275.CLL](#)



Image is for illustrative purpose only

Download

[Request a quote](#)

[Catalog](#)

TECHNICAL DETAILS

Mechanics

Shell Style/Model FVN*: Straight plug, cable collet
Keying Circular, male
Housing Material Brass (chrome plated [SAE AMS 2460]) shell and collet nut, nickel plated [SAE AMS QQ N 290] brass latch sleeve and mid pieces
Weight 31.63 g

Performance

Configuration 1V.275 : 1 Coax (75 Ohm)
Insulator
Rated Current

Specifications

Contact Type: Solder

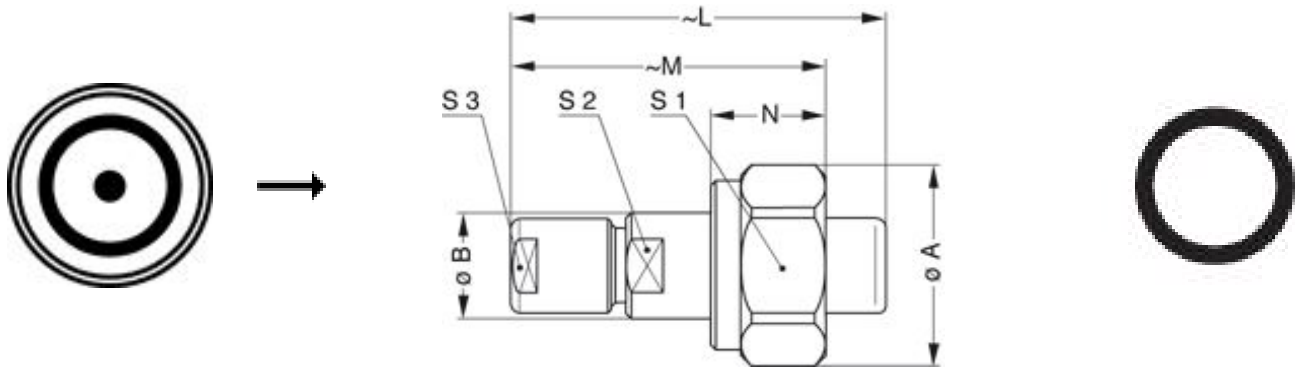
Others

Endurance (Shell): 1000 mating cycles
Temp (min / max): -20°C / +200°C
Climatical Category: 20/200/21
Shielding (min): 95 dB (10 MHz)

LEMO products and services are provided "as is". LEMO makes no warranties or representations with regard to LEMO product & services or use of them, express, implied or statutory, including for accuracy, completeness, or security. The user is fully responsible for his products and applications using LEMO components.

Shielding (min): 80 dB (1 GHz)
Salt Spray Corrosion: >1000 hr
Pressure: 30 bars

DRAWINGS



Dimensions

	A	B	L	M	N	S1	S2	S3
mm.	19.3	12	43	35	14	18	10	9
in.	0,76	0,47	1,69	1,38	0,55	0,71	0,39	0,35

RECOMMENDED BY LEMO

Tools

LEMO products and services are provided "as is". LEMO makes no warranties or representations with regard to LEMO product & services or use of them, express, implied or statutory, including for accuracy, completeness, or security. The user is fully responsible for his products and applications using LEMO components.

Mouser Electronics

Authorized Distributor

Click to View Pricing, Inventory, Delivery & Lifecycle Information:

[LEMO:](#)

[FVN.1V.275.CTAC55](#)