

SUMMARY

Wires

Low voltage 26



Image is for illustrative purpose only

Series 2W
Termination type Male solder
IP rating 68
AWG wire size 34.00 - 28.00
Cable Ø 6.60 - 7.00 mm
Status active
Matching parts [EVG.2W.326.CLL](#)

Download

[Request a quote](#)

[Catalog](#)

TECHNICAL DETAILS

Mechanics

Shell Style/Model FV*: Straight plug, cable collet
Keying 1 key (alpha=0; Plug: male contacts; Receptacle: female contacts)
Housing Material Brass (chrome plated [SAE AMS 2460]) shell and collet nut, nickel plated [SAE AMS QQ N 290] brass latch sleeve and mid pieces
Weight 53.21 g

Performance

Configuration 2W.326 : 26 Low Voltage
Insulator
Rated Current 2 Amps

Specifications

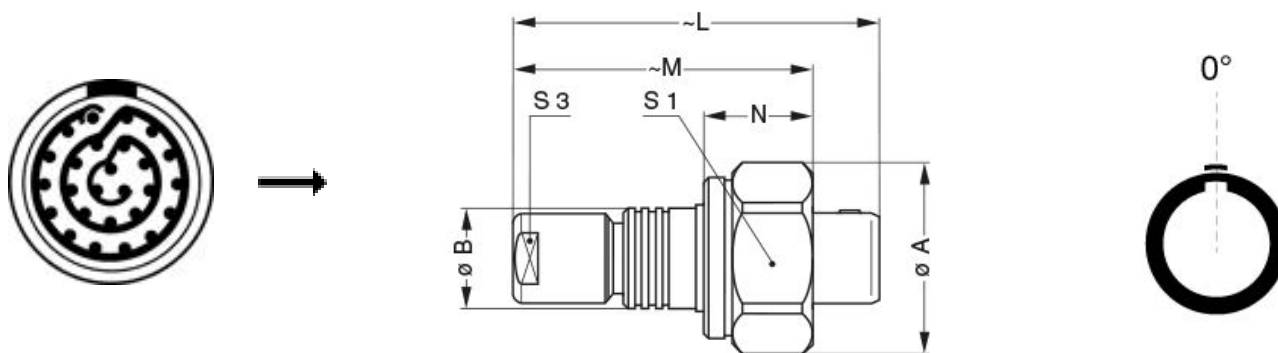
Contact Type: Solder
Contact Dia.: 0.5 mm (0.02in)
Bucket Dia.: 0.45 mm (0.018in)
Max. Solid Conductor: 0.09 mm² (AWG 28)
Max. Stranded Conductor: 0.09 mm² (AWG 28)
R (max): 8.7 mOhm
Vtest (contact-contact): 950 V (AC) 1300 V (DC)
Vtest (contact-shell): 1300 V (AC) 1800 V (DC)

LEMO products and services are provided "as is". LEMO makes no warranties or representations with regard to LEMO product & services or use of them, express, implied or statutory, including for accuracy, completeness, or security. The user is fully responsible for his products and applications using LEMO components.

Others

Endurance (Shell): 1000 mating cycles
Temp (min / max): -20°C / +200°C
Humidity (max): <=95% [at 60 deg C / 140 F]
Climatical Category: 20/200/21
Shielding (min): 95 dB (10 MHz)
Shielding (min): 80 dB (1 GHz)
Salt Spray Corrosion: >1000 hr
Pressure: 30 bars

DRAWINGS



Dimensions



	A	B	L	M	N	S1	S3
mm.	23.5	14.0	52.5	43.0	15.5	22	12
in.	0,93	0,55	2,07	1,69	0,61	0,87	0,47

RECOMMENDED BY LEMO

Tools

LEMO products and services are provided "as is". LEMO makes no warranties or representations with regard to LEMO product & services or use of them, express, implied or statutory, including for accuracy, completeness, or security. The user is fully responsible for his products and applications using LEMO components.

Cables

CMN.26.T28.070PGZE		Grey	
CMN.26.T28.070PNZE			

LEMO products and services are provided "as is". LEMO makes no warranties or representations with regard to LEMO product & services or use of them, express, implied or statutory, including for accuracy, completeness, or security. The user is fully responsible for his products and applications using LEMO components.

Mouser Electronics

Authorized Distributor

Click to View Pricing, Inventory, Delivery & Lifecycle Information:

[LEMO:](#)

[FVG.2W.326.CLAC70](#)