

## SUMMARY

### # Wires

Low voltage 2



Image is for illustrative purpose only

Series 2W  
Termination type Male solder  
IP rating 68  
AWG wire size 14.00 - 14.00  
Cable Ø 2.60 - 3.00 mm  
Status active  
Matching parts [EVG.2W.302.CLL](#)

### Download

[Request a quote](#)

[Catalog](#)

## TECHNICAL DETAILS

### Mechanics

Shell Style/Model FV\_/Z\*: Straight plug, cable collet and nut for fitting a bend relief  
Keying 1 key (alpha=0; Plug: male contacts; Receptacle: female contacts)  
Housing Material Brass (chrome plated [SAE AMS 2460]) shell and collet nut, nickel plated [SAE AMS QQ N 290] brass latch sleeve and mid pieces  
Variant Z : Nut for fitting a bend relief  
Weight 54.81 g

### Performance

Configuration 2W.302 : 2 Low Voltage  
Insulator  
Rated Current 30 Amps

### Specifications

Contact Type: Solder  
Contact Dia.: 2 mm (0.079in)  
Bucket Dia.: 1.8 mm (0.071in)  
Max. Solid Conductor: 1.5 mm<sup>2</sup> (AWG 14)  
Max. Stranded Conductor: 1.5 mm<sup>2</sup> (AWG 16)  
R (max): 3.3 mOhm

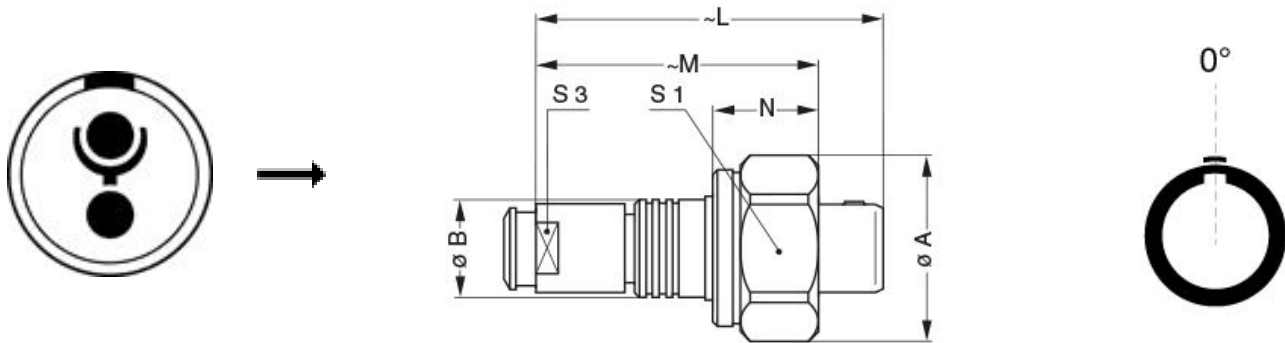
LEMO products and services are provided "as is". LEMO makes no warranties or representations with regard to LEMO product & services or use of them, express, implied or statutory, including for accuracy, completeness, or security. The user is fully responsible for his products and applications using LEMO components.

Vtest (contact-contact): 2100 V (AC) 3000 V (DC)  
Vtest (contact-shell): 1750 V (AC) 2500 V (DC)

## Others

Endurance (Shell): 1000 mating cycles  
Temp (min / max): -20°C / +200°C  
Humidity (max): <=95% [at 60 deg C / 140 F]  
Climatical Category: 20/200/21  
Shielding (min): 95 dB (10 MHz)  
Shielding (min): 80 dB (1 GHz)  
Salt Spray Corrosion: >1000 hr  
Pressure: 30 bars

## DRAWINGS



## Dimensions






	A	B	L	M	N	S1	S3
mm.	23.5	14	52.5	43	15.5	22	12
in.	0,93	0,55	2,07	1,69	0,61	0,87	0,47

## RECOMMENDED BY LEMO

### Tools

LEMO products and services are provided "as is". LEMO makes no warranties or representations with regard to LEMO product & services or use of them, express, implied or statutory, including for accuracy, completeness, or security. The user is fully responsible for his products and applications using LEMO components.

## Cables

CMN.02.T28.030PGCE	PVC	GREY	
CMN.02.T28.030PGZE		Grey	
CMN.02.T28.030PNCE	PVC	Black	
CMN.02.T28.030PNZE			
2050	PVC	Black	
2260	PTFE	White	

LEMO products and services are provided "as is". LEMO makes no warranties or representations with regard to LEMO product & services or use of them, express, implied or statutory, including for accuracy, completeness, or security. The user is fully responsible for his products and applications using LEMO components.

# Mouser Electronics

Authorized Distributor

Click to View Pricing, Inventory, Delivery & Lifecycle Information:

[LEMO:](#)

[FVG.2W.302.CLAC30Z](#)