

## SUMMARY

### # Wires

Low voltage 3



Image is for illustrative purpose only

Series 0B  
Termination type  
IP rating 50  
AWG wire size 28.00 - 20.00  
Cable Ø 0.00 - 0.00 mm  
Status active

### Download

[Request a quote](#)

[Catalog](#)

## TECHNICAL DETAILS

### Mechanics

Shell Style/Model FTG\*: Straight plug, key and two parallel sockets  
Keying 1 key (alpha=0, plug: male contacts, receptacle: female contacts)  
Housing Material PSU (Polysulfone) shell and collet nut, nickel plated brass latch sleeve and mid pieces  
Variant G : Gray  
Weight 19.12 g

### Performance

Configuration 0B.303 : 3 Low Voltage  
Insulator L: PEEK (UL 94 / V-0/1.5)  
Rated Current 4 Amps

### Specifications

Contact Dia.: 0.9 mm (0.035in)  
Test voltage (kV rms) 0.8

### Others

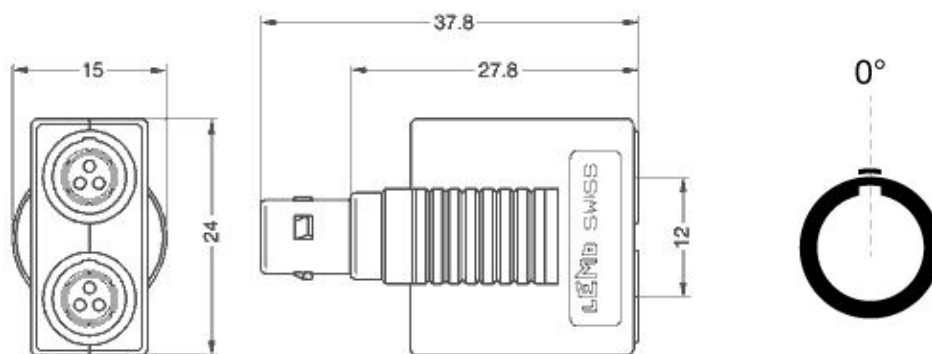
Endurance (Shell): 5000 mating cycles  
Temp (min / max): -20° C / +90° C

LEMO products and services are provided "as is". LEMO makes no warranties or representations with regard to LEMO product & services or use of them, express, implied or statutory, including for accuracy, completeness, or security. The user is fully responsible for his products and applications using LEMO components.

Humidity (max):  $\leq 95\%$  [at 60 deg C / 140 F]  
Vibration: 15 g [10 Hz - 2000 Hz]  
Shock Resistance: 100 g [ 6 ms]  
Climatical Category: 50/175/21  
Shielding (min): 75 dB (10 MHz)  
Shielding (min): 40 dB (1 GHz)

---

## DRAWINGS



---

## RECOMMENDED BY LEMO

### Tools

Crimp settings: AWG/Selector = 20-22-24/6-5-5

Positionner: [DCE.91.090.BVM](#)

Extractor: [DCF.91.090.2LT](#)

Replacement contact: EGG.0B.660.ZZM

*LEMO products and services are provided "as is". LEMO makes no warranties or representations with regard to LEMO product & services or use of them, express, implied or statutory, including for accuracy, completeness, or security. The user is fully responsible for his products and applications using LEMO components.*

# Mouser Electronics

Authorized Distributor

Click to View Pricing, Inventory, Delivery & Lifecycle Information:

[LEMO:](#)

[FTG.0B.303.PLFG](#)