

## SUMMARY

### # Wires

Low voltage 14



Image is for illustrative purpose only

|                  |                                |
|------------------|--------------------------------|
| Series           | 1B                             |
| Termination type | Male solder                    |
| IP rating        | 50                             |
| AWG wire size    | 34.00 - 28.00                  |
| Cable Ø          | 6.30 - 7.20 mm                 |
| Status           | active                         |
| Matching parts   | <a href="#">EGA.1B.314.CLL</a> |

### Download

[Request a quote](#)

[Eplan](#)

[Catalog](#)

## TECHNICAL DETAILS

### Mechanics

|                   |   |
|-------------------|---|
| Shell Style/Model | FP*: Elbow (90°) plug with cable collet for bend relief   |
| Keying            | 2 keys (alpha=30, plug: male contacts, receptacle: female contacts)   |
| Housing Material  | Brass (chrome plated [SAE AMS 2460]) shell and collet nut, nickel plated [SAE AMS QQ N 290] brass latch sleeve and mid pieces |
| Variant           | Z : Nut for fitting a bend relief   |
| Weight            | 21.14 g   |

### Performance

|               |                           |
|---------------|---------------------------|
| Configuration | 1B.314 : 14 Low Voltage   |
| Insulator     | L: PEEK (UL 94 / V-0/1.5) |
| Rated Current | 2 Amps                    |

### Specifications

Contact Type: Solder  
Contact Dia.: 0.5 mm (0.02in)  
Bucket Dia.: 0.45 mm (0.018in)  
Max. Solid Conductor: 0.09 mm<sup>2</sup> (AWG 28)  
Max. Stranded Conductor: 0.09 mm<sup>2</sup> (AWG 28)  
R (max): 8.7 mOhm

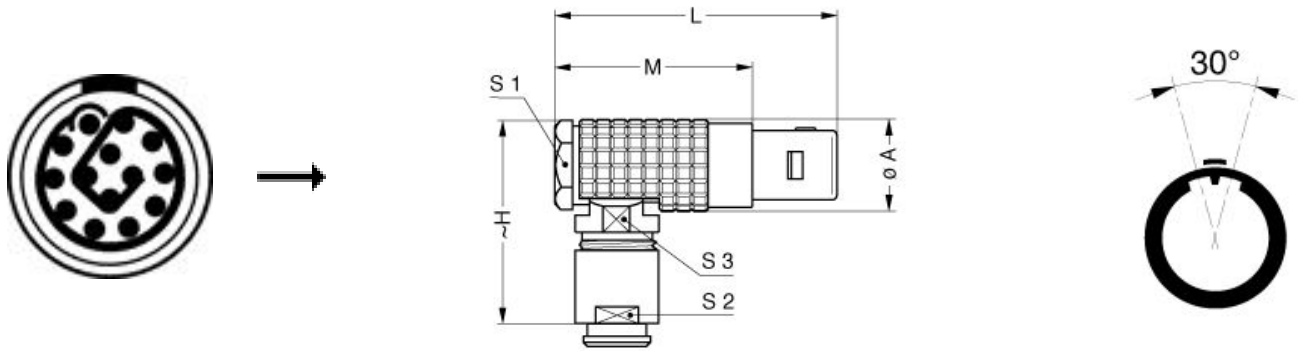
LEMO products and services are provided "as is". LEMO makes no warranties or representations with regard to LEMO product & services or use of them, express, implied or statutory, including for accuracy, completeness, or security. The user is fully responsible for his products and applications using LEMO components.

Vtest (contact-shell): 1200 V (AC), 1700 V (DC)  
Vtest (contact-contact): 800 V (AC), 1130 V (DC)

## Others

Endurance (Shell): 5000  
Temp (min / max): -55°C / +250°C  
Humidity (max): ≤95% [at 60 deg C / 140 F]  
Vibration: 15 g [10 Hz - 2000 Hz]  
Shock Resistance: 100 g [ 6 ms]  
Climatical Category: 50/175/21  
Shielding (min): 75 dB (10 MHz)  
Shielding (min): 40 dB (1 GHz)  
Salt Spray Corrosion: >1000 hr

## DRAWINGS



## Dimensions

|     | A    | H    | L    | M    | S1   | S2   | S3   |
|-----|------|------|------|------|------|------|------|
| mm. | 12   | 27.7 | 36   | 25   | 11   | 9    | 10   |
| in. | 0,47 | 1,09 | 1,42 | 0,98 | 0,43 | 0,35 | 0,39 |

## RECOMMENDED BY LEMO

### Tools

LEMO products and services are provided "as is". LEMO makes no warranties or representations with regard to LEMO product & services or use of them, express, implied or statutory, including for accuracy, completeness, or security. The user is fully responsible for his products and applications using LEMO components.

Spanner wrench:

[DCD.1B.015.PA090](#)

*LEMO products and services are provided "as is". LEMO makes no warranties or representations with regard to LEMO product & services or use of them, express, implied or statutory, including for accuracy, completeness, or security. The user is fully responsible for his products and applications using LEMO components.*

# Mouser Electronics

Authorized Distributor

Click to View Pricing, Inventory, Delivery & Lifecycle Information:

[LEMO:](#)

[FPA.1B.314.CLAD72Z](#)