

SUMMARY

Wires

Low voltage 8



Image is for illustrative purpose only

Series	3B
Termination type	Female crimp
IP rating	50
AWG wire size	20.00 - 18.00
Cable Ø	7.80 - 9.20 mm
Status	obsolete
Alternative part	FHJ.3B.308.CYMD92
Matching parts	EGJ.3B.308.CYC

Download

[Request a quote](#)

[Catalog](#)

TECHNICAL DETAILS

Mechanics

Shell Style/Model	FH*: Elbow plug, cable collet
Keying	2 keys (alpha=37.5, plug: female contacts, receptacle: male contacts)
Housing Material	Brass (chrome plated [SAE AMS 2460]) shell and collet nut, nickel plated [SAE AMS QQ N 290] brass latch sleeve and mid pieces

Performance

Configuration	3B.308 : 8 Low Voltage
Insulator	Y: PEEK for crimp contacts
Rated Current	13 Amps

Specifications

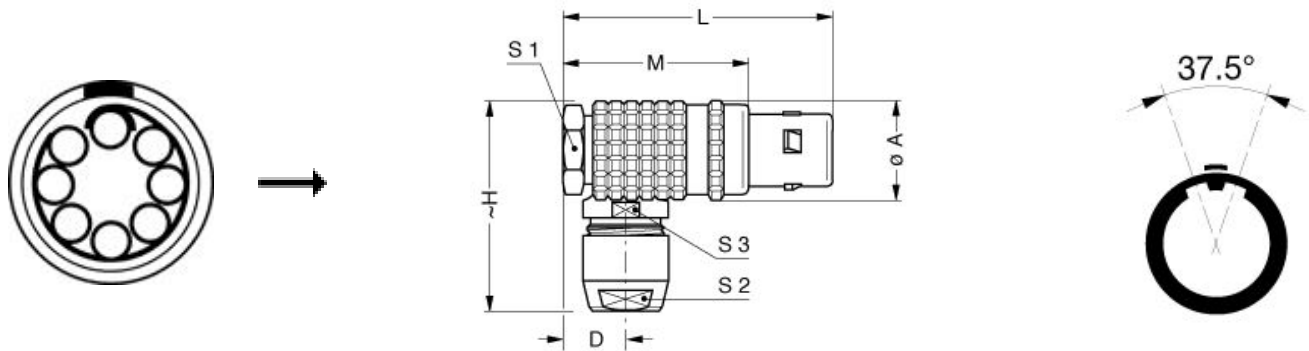
Contact Type:	Crimp
Contact Retention:	40 N
Contact Dia.:	1.3 mm (0.051in)
Bucket Dia.:	1.4 mm (0.055in)
Min. Conductor:	0.5 mm ² (AWG 20)
Max. Conductor:	1 mm ² (AWG 18)
R (max):	3.6 mOhm
V _{test} (contact-shell):	1750 V (AC), 2500 V (DC)
V _{test} (contact-contact):	1850 V (AC), 2600 V (DC)

LEMO products and services are provided "as is". LEMO makes no warranties or representations with regard to LEMO product & services or use of them, express, implied or statutory, including for accuracy, completeness, or security. The user is fully responsible for his products and applications using LEMO components.

Others

Endurance (Shell): 5000
Temp (min / max): -55°C / +250°C
Humidity (max): ≤95% [at 60 deg C / 140 F]
Vibration: 15 g [10 Hz - 2000 Hz]
Shock Resistance: 100 g [6 ms]
Climatical Category: 50/175/21
Shielding (min): 75 dB (10 MHz)
Shielding (min): 40 dB (1 GHz)
Salt Spray Corrosion: >1000 hr

DRAWINGS



Dimensions

	A	D	H	L	M	S1	S2	S3
mm.	19	10	37	50	35	17	14	15
in.	0,75	0,39	1,46	1,97	1,38	0,67	0,55	0,59

RECOMMENDED BY LEMO

Tools

Crimp Tool: [DPC.91.701.V](#)
Crimp settings: AWG/Selector = 18-20-22/5-4-3

LEMO products and services are provided "as is". LEMO makes no warranties or representations with regard to LEMO product & services or use of them, express, implied or statutory, including for accuracy, completeness, or security. The user is fully responsible for his products and applications using LEMO components.

Positionner: [DCE.91.133.BVM](#)
Extractor: [DCF.91.133.5LT](#)
Replacement contact: EGG.3B.665.ZZM
Spanner wrench: [DCD.3B.040.PA140](#)

Cables

380500	PVC	Grey	
--------	-----	------	--

LEMO products and services are provided "as is". LEMO makes no warranties or representations with regard to LEMO product & services or use of them, express, implied or statutory, including for accuracy, completeness, or security. The user is fully responsible for his products and applications using LEMO components.

Mouser Electronics

Authorized Distributor

Click to View Pricing, Inventory, Delivery & Lifecycle Information:

[LEMO:](#)

[FHJ.3B.308.CYMD82](#)