

## SUMMARY

### # Wires

Low voltage 2



Image is for illustrative purpose only

Series	2B
Termination type	Female crimp
IP rating	50
AWG wire size	16.00 - 12.00
Cable Ø	6.30 - 7.20 mm
Status	active
Alternative part	<a href="#">FPJ.2B.302.CYMD72</a>
Matching parts	<a href="#">EGJ.2B.302.CYC</a>

### Download

[Request a quote](#)

[Catalog](#)

## TECHNICAL DETAILS

### Mechanics

Shell Style/Model	FH*: Elbow plug, cable collet
Keying	2 keys (alpha=37.5, plug: female contacts, receptacle: male contacts)
Housing Material	Brass (chrome plated [SAE AMS 2460]) shell and collet nut, nickel plated [SAE AMS QQ N 290] brass latch sleeve and mid pieces
Weight	43.84 g

### Performance

Configuration	2B.302 : 2 Low Voltage
Insulator	Y: PEEK for crimp contacts
Rated Current	25 Amps

### Specifications

Contact Type:	Crimp
Contact Retention:	65 N
Contact Dia.:	2 mm (0.079in)
Bucket Dia.:	2.4 mm (0.094in)
Min. Conductor:	1.5 mm <sup>2</sup> (AWG 16)
Max. Conductor:	2.5 mm <sup>2</sup> (AWG 12)
R (max):	3.3 mOhm
Vtest (contact-shell):	2700 V (AC), 3820 V (DC)

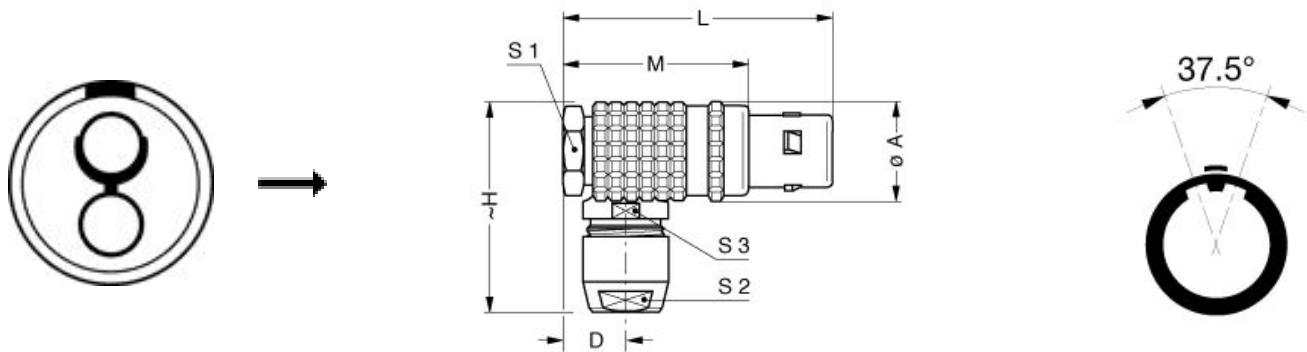
LEMO products and services are provided "as is". LEMO makes no warranties or representations with regard to LEMO product & services or use of them, express, implied or statutory, including for accuracy, completeness, or security. The user is fully responsible for his products and applications using LEMO components.

Vtest (contact-contact): 2850 V (AC), 4030 V (DC)

## Others

Endurance (Shell): 5000  
Temp (min / max): -55 °C / +250 °C  
Humidity (max): <=95% [at 60 deg C / 140 F]  
Vibration: 15 g [10 Hz - 2000 Hz]  
Shock Resistance: 100 g [ 6 ms]  
Climatical Category: 50/175/21  
Shielding (min): 75 dB (10 MHz)  
Shielding (min): 40 dB (1 GHz)  
Salt Spray Corrosion: >1000 hr

## DRAWINGS



## Dimensions

	A	D	H	L	M	S1	S2	S3
mm.	16.5	9	34	41.5	29.5	14	12	13
in.	0,65	0,35	1,34	1,63	1,16	0,55	0,47	0,51


## RECOMMENDED BY LEMO

### Tools

LEMO products and services are provided "as is". LEMO makes no warranties or representations with regard to LEMO product & services or use of them, express, implied or statutory, including for accuracy, completeness, or security. The user is fully responsible for his products and applications using LEMO components.

Crimp Tool: [DPC.91.101.A](#)  
 Crimp settings: AWG/Selector = 12-14-16/8-7-6  
 Positionner: [DCE.91.202.BVCM](#)  
 Extractor: [DCC.91.202.5LA](#)  
 Replacement contact: EGG.2B.675.ZZM  
 Spanner wrench: [DCD.2B.025.PA120](#)

## Cables

CMN.02.T14.072PGZE		Grey	
CMN.02.T14.072PNZE		Black	
CMN.02.T14.072QGZE	TPR (medical)	Grey	
CMN.02.T18.064UNCU			
220151	PVC	Grey	

*LEMO products and services are provided "as is". LEMO makes no warranties or representations with regard to LEMO product & services or use of them, express, implied or statutory, including for accuracy, completeness, or security. The user is fully responsible for his products and applications using LEMO components.*

# Mouser Electronics

Authorized Distributor

Click to View Pricing, Inventory, Delivery & Lifecycle Information:

[LEMO:](#)

[FHJ.2B.302.CYMD72](#)