

SUMMARY



Image is for illustrative purpose only

Wires

Low voltage 20

Series	5B
Termination type	Male crimp
IP rating	50
AWG wire size	18.00 - 14.00
Cable Ø	11.60 - 13.50 mm
Status	active
Matching parts	EGG.5B.320.CLL

Download

[Request a quote](#)

[Catalog](#)

TECHNICAL DETAILS

Mechanics

Shell Style/Model	FH*: Elbow plug, cable collet
Keying	1 key (alpha=0, plug: male contacts, receptacle: female contacts)
Housing Material	Brass (chrome plated [SAE AMS 2460]) shell and collet nut, nickel plated [SAE AMS QQ N 290] brass latch sleeve and mid pieces
Weight	416.28 g

Performance

Configuration	5B.320 : 20 Low Voltage
Insulator	Y: PEEK for crimp contacts
Rated Current	10 Amps

Specifications

Contact Type:	Crimp
Contact Retention:	50 N
Contact Dia.:	1.6 mm (0.063in)
Bucket Dia.:	1.9 mm (0.075in)
Min. Conductor:	1 mm ² (AWG 18)
Max. Conductor:	1.5 mm ² (AWG 14)
R (max):	3.5 mOhm
Vtest (contact-shell):	2400 V (AC), 3390 V (DC)

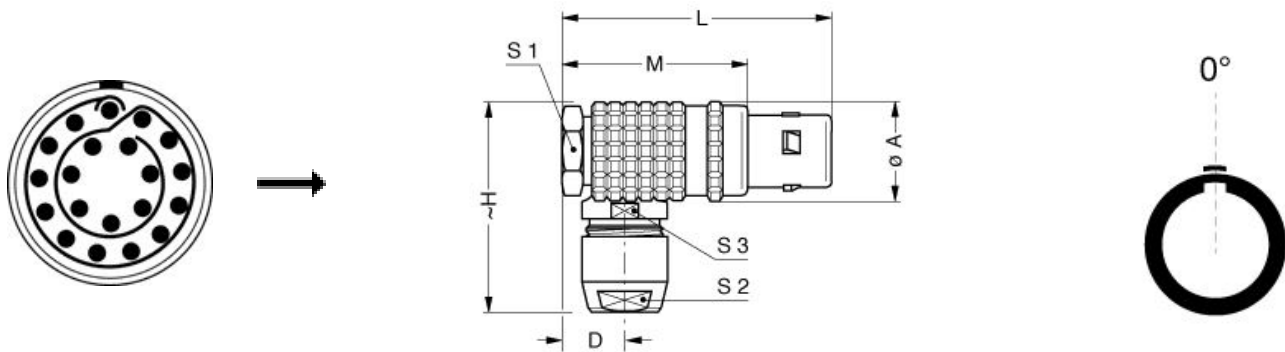
LEMO products and services are provided "as is". LEMO makes no warranties or representations with regard to LEMO product & services or use of them, express, implied or statutory, including for accuracy, completeness, or security. The user is fully responsible for his products and applications using LEMO components.

Vtest (contact-contact): 2200 V (AC), 3110 V (DC)

Others

Endurance (Shell): 5000
Temp (min / max): -55°C / +250°C
Humidity (max): ≤95% [at 60 deg C / 140 F]
Vibration: 15 g [10 Hz - 2000 Hz]
Shock Resistance: 100 g [6 ms]
Climatical Category: 50/175/21
Shielding (min): 75 dB (10 MHz)
Shielding (min): 40 dB (1 GHz)
Salt Spray Corrosion: >1000 hr

DRAWINGS



Dimensions

	A	D	H	L	M	S1	S2	S3
mm.	36	21	74	90	65	32	30	31
in.	1,42	0,83	2,91	3,54	2,56	1,26	1,18	1,22

RECOMMENDED BY LEMO

Tools

LEMO products and services are provided "as is". LEMO makes no warranties or representations with regard to LEMO product & services or use of them, express, implied or statutory, including for accuracy, completeness, or security. The user is fully responsible for his products and applications using LEMO components.

Crimp Tool: [DPC.91.101.A](#)
Crimp settings: AWG/Selector = 14-16-18/7-6-5
Positionner: [DCE.91.165.BVCM](#)
Extractor: [DCF.91.163.5LT](#)
Replacement contact: FGG.5B.570.ZZC

LEMO products and services are provided "as is". LEMO makes no warranties or representations with regard to LEMO product & services or use of them, express, implied or statutory, including for accuracy, completeness, or security. The user is fully responsible for his products and applications using LEMO components.

Mouser Electronics

Authorized Distributor

Click to View Pricing, Inventory, Delivery & Lifecycle Information:

[LEMO:](#)

[FHG.5B.320.CYCD13](#)