

SUMMARY

Wires

Low voltage 12



Image is for illustrative purpose only

Series 2B
Termination type Male crimp
IP rating 50
AWG wire size 26.00 - 22.00
Cable Ø 7.30 - 8.20 mm
Status active
Matching parts [EGG.2B.312.CYM](#)

Download

[Request a quote](#)

[Catalog](#)

TECHNICAL DETAILS

Mechanics

Shell Style/Model FH*: Elbow plug, cable collet
Keying 1 key (alpha=0, plug: male contacts, receptacle: female contacts)
Housing Material Brass (chrome plated [SAE AMS 2460]) shell and collet nut, nickel plated [SAE AMS QQ N 290] brass latch sleeve and mid pieces

Performance

Configuration 2B.312 : 12 Low Voltage
Insulator Y: PEEK for crimp contacts
Rated Current 7 Amps

Specifications

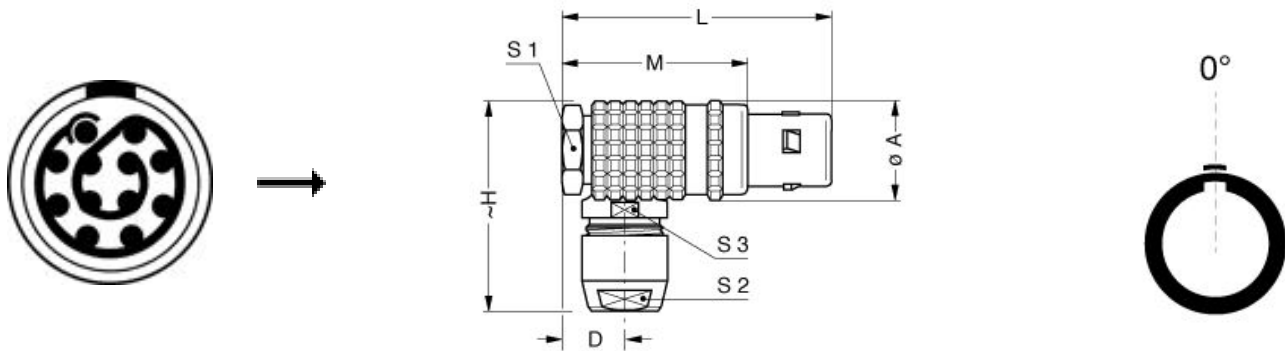
Contact Type: Crimp
Contact Retention: 22 N
Contact Dia.: 0.7 mm (0.028in)
Bucket Dia.: 0.8 mm (0.031in)
Min. Conductor: 0.14 mm² (AWG 26)
Max. Conductor: 0.34 mm² (AWG 22)
R (max): 6.1 mOhm
V_{test} (contact-shell): 2000 V (AC), 2850 V (DC)
V_{test} (contact-contact): 1650 V (AC), 2350 V (DC)

LEMO products and services are provided "as is". LEMO makes no warranties or representations with regard to LEMO product & services or use of them, express, implied or statutory, including for accuracy, completeness, or security. The user is fully responsible for his products and applications using LEMO components.

Others

Endurance (Shell): 5000
Temp (min / max): -55°C / +250°C
Humidity (max): <=95% [at 60 deg C / 140 F]
Vibration: 15 g [10 Hz - 2000 Hz]
Shock Resistance: 100 g [6 ms]
Climatical Category: 50/175/21
Shielding (min): 75 dB (10 MHz)
Shielding (min): 40 dB (1 GHz)
Salt Spray Corrosion: >1000 hr

DRAWINGS



Dimensions

	A	D	H	L	M	S1	S2	S3
mm.	16.5	9	34	41.5	29.5	14	12	13
in.	0,65	0,35	1,34	1,63	1,16	0,55	0,47	0,51

RECOMMENDED BY LEMO


Tools

Crimp Tool: [DPC.91.701.V](#)
Crimp settings: AWG/Selector = 22-24-26/6-5-5

LEMO products and services are provided "as is". LEMO makes no warranties or representations with regard to LEMO product & services or use of them, express, implied or statutory, including for accuracy, completeness, or security. The user is fully responsible for his products and applications using LEMO components.

Positionner: [DCE.91.072.BVC](#)
Extractor: [DCF.91.070.2LT](#)
Replacement contact: FGG.2B.555.ZZC
Spanner wrench: [DCD.2B.025.PA120](#)

Cables

124080	PVC	Grey	
212220	PVC	Black	

LEMO products and services are provided "as is". LEMO makes no warranties or representations with regard to LEMO product & services or use of them, express, implied or statutory, including for accuracy, completeness, or security. The user is fully responsible for his products and applications using LEMO components.

Mouser Electronics

Authorized Distributor

Click to View Pricing, Inventory, Delivery & Lifecycle Information:

[LEMO:](#)

[FHG.2B.312.CYCD82](#)