

## SUMMARY

### # Wires

Low voltage 10



*Image is for illustrative purpose only*

Series 2B  
Termination type Male crimp  
IP rating 50  
AWG wire size 32.00 - 28.00  
Cable Ø 5.30 - 6.20 mm  
Status active  
Matching parts [EGG.2B.310.CLL](#)

### Download

[Request a quote](#)

[Catalog](#)

## TECHNICAL DETAILS

### Mechanics

Shell Style/Model FH\*: Elbow plug, cable collet and nut for fitting a bend relief  
Keying 1 key (alpha=0, plug: male contacts, receptacle: female contacts)  
Housing Material Brass (chrome plated [SAE AMS 2460]) shell and collet nut, nickel plated [SAE AMS QQ N 290] brass latch sleeve and mid pieces  
Variant Z : Nut for fitting a bend relief

### Performance

Configuration 2B.310 : 10 Low Voltage  
Insulator Y: PEEK for crimp contacts  
Rated Current 8 Amps

### Specifications

Contact Type: Crimp  
Contact Retention: 30 N  
Contact Dia.: 0.9 mm (0.035in)  
Bucket Dia.: 0.45 mm (0.018in)  
Min. Conductor: 0.035 mm<sup>2</sup> (AWG 32)  
Max. Conductor: 0.09 mm<sup>2</sup> (AWG 28)  
R (max): 4.8 mOhm  
Vtest (contact-shell): 2100 V (AC), 2970 V (DC)

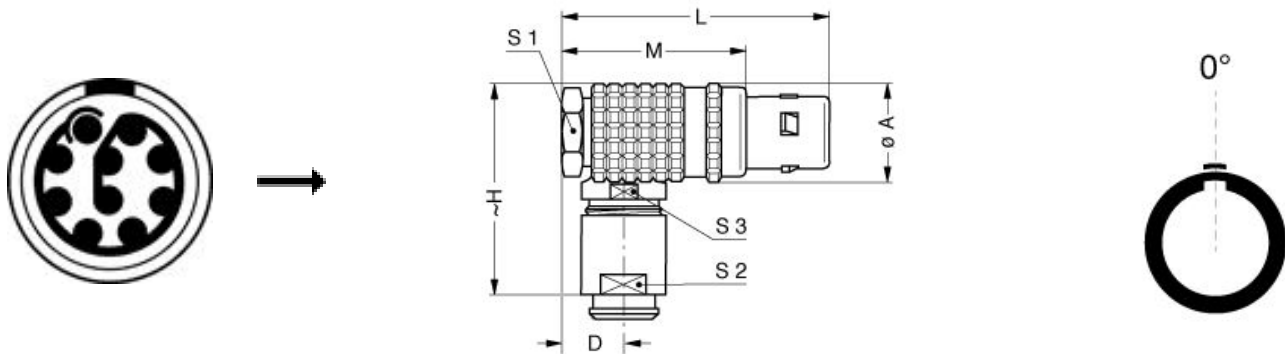
*LEMO products and services are provided "as is". LEMO makes no warranties or representations with regard to LEMO product & services or use of them, express, implied or statutory, including for accuracy, completeness, or security. The user is fully responsible for his products and applications using LEMO components.*

Vtest (contact-contact): 1800 V (AC), 2550 V (DC)

## Others

Endurance (Shell): 5000  
Temp (min / max): -55 °C / +250 °C  
Humidity (max): <=95% [at 60 deg C / 140 F]  
Vibration: 15 g [10 Hz - 2000 Hz]  
Shock Resistance: 100 g [ 6 ms]  
Climatical Category: 50/175/21  
Shielding (min): 75 dB (10 MHz)  
Shielding (min): 40 dB (1 GHz)  
Salt Spray Corrosion: >1000 hr

## DRAWINGS



## Dimensions

	A	D	H	L	M	S1	S2	S3
mm.	16.5	9	34.3	41.5	29.5	14	12	14
in.	0,65	0,35	1,35	1,63	1,16	0,55	0,47	0,55

## RECOMMENDED BY LEMO

### Tools

LEMO products and services are provided "as is". LEMO makes no warranties or representations with regard to LEMO product & services or use of them, express, implied or statutory, including for accuracy, completeness, or security. The user is fully responsible for his products and applications using LEMO components.

Crimp Tool: [DPC.91.701.V](#)  
 Crimp settings: AWG/Selector = 28-30-32/4-3-3  
 Positionner: [DCE.91.092.AVC](#)  
 Extractor: [DCF.91.090.2LT](#)  
 Replacement contact: FGG.2B.562.ZZC  
 Spanner wrench: [DCD.2B.025.PA120](#)

## Cables

CMN.10.T28.053QGZE	TPR (medical)	Grey	
110280	PVC	Black	

*LEMO products and services are provided "as is". LEMO makes no warranties or representations with regard to LEMO product & services or use of them, express, implied or statutory, including for accuracy, completeness, or security. The user is fully responsible for his products and applications using LEMO components.*

# Mouser Electronics

Authorized Distributor

Click to View Pricing, Inventory, Delivery & Lifecycle Information:

[LEMO:](#)

[FHG.2B.310.CYGD62Z](#)