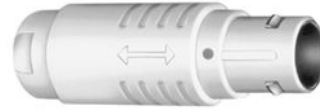


## SUMMARY

### # Wires

Low voltage 16



*Image is for illustrative purpose only*

Series	3B
Termination type	Male solder
IP rating	50
AWG wire size	30.00 - 22.00
Cable Ø	7.80 - 9.20 mm
Status	active
Matching parts	<a href="#">ENY.3B.316.PLLB</a>

### Download

[Request a quote](#)

[Catalog](#)

[See video assembly instructions](#)

## TECHNICAL DETAILS

### Mechanics

Shell Style/Model	FGY*: Straight plug, cable collet and PSU or PPSU outer shell
Keying	3 keys (beta=126, gamma=102, plug: male contacts, receptacle: female contacts)
Housing Material	PSU (Polysulfone) shell and collet nut, nickel plated [SAE AMS QQ N 290] brass latch sleeve and mid pieces
Weight	29.23 g

### Performance

Configuration	3B.316 : 16 Low Voltage
Insulator	L: PEEK (UL 94 / V-0/1.5)
Rated Current	8 Amps

### Specifications

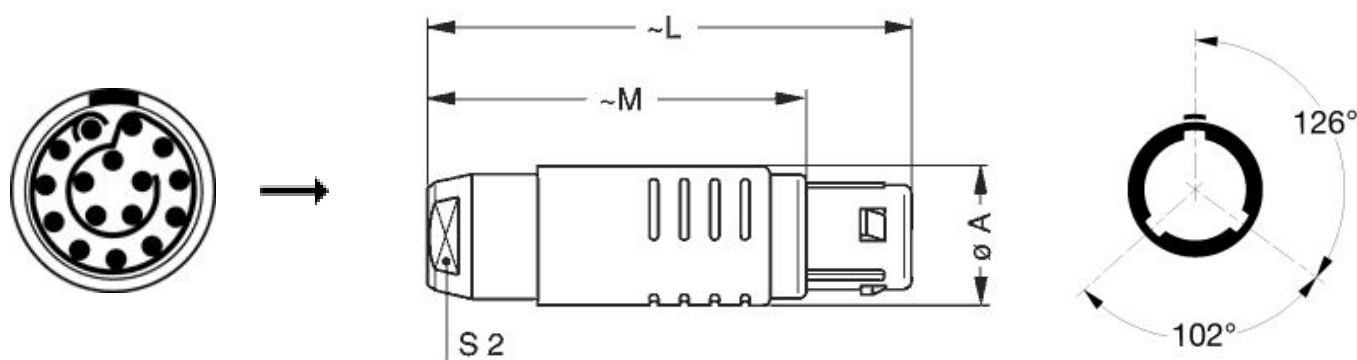
Contact Type:	Solder
Contact Dia.:	0.9 mm (0.035in)
Bucket Dia.:	0.8 mm (0.031in)
Max. Solid Conductor:	0.34 mm <sup>2</sup> (AWG 22)
Max. Stranded Conductor:	0.34 mm <sup>2</sup> (AWG 22)
R (max):	4.8 mOhm
Vtest (contact-shell):	850 V (AC), 1200 V (DC)
Vtest (contact-contact):	1200 V (AC), 1700 V (DC)

LEMO products and services are provided "as is". LEMO makes no warranties or representations with regard to LEMO product & services or use of them, express, implied or statutory, including for accuracy, completeness, or security. The user is fully responsible for his products and applications using LEMO components.

## Others

Endurance (Shell): 5000  
Temp (min / max): -50°C / +150°C  
Humidity (max): <=95% [at 60 deg C / 140 F]  
Vibration: 15 g [10 Hz - 2000 Hz]  
Shock Resistance: 100 g [ 6 ms]  
Climatical Category: 50/175/21  
Shielding (min): 75 dB (10 MHz)  
Shielding (min): 40 dB (1 GHz)

## DRAWINGS



## Dimensions

	A	L	M	S2
mm.	19	58	43	15
in.	0,75	2,28	1,69	0,59




## RECOMMENDED BY LEMO

### Tools

Spanner wrench: [DCD.3B.040.PA140](#)

*LEMO products and services are provided "as is". LEMO makes no warranties or representations with regard to LEMO product & services or use of them, express, implied or statutory, including for accuracy, completeness, or security. The user is fully responsible for his products and applications using LEMO components.*

## Cables

216220	PVC	Black	
216240	PVC	Black	
316250	PVC	Grey	

*LEMO products and services are provided "as is". LEMO makes no warranties or representations with regard to LEMO product & services or use of them, express, implied or statutory, including for accuracy, completeness, or security. The user is fully responsible for his products and applications using LEMO components.*

# Mouser Electronics

Authorized Distributor

Click to View Pricing, Inventory, Delivery & Lifecycle Information:

[LEMO:](#)

[FGY.3B.316.PLAD92B](#)