

SUMMARY

Wires

Low voltage 48



Image is for illustrative purpose only

| | |
|------------------|--------------------------------|
| Series | 5B |
| Termination type | Male crimp |
| IP rating | 50 |
| AWG wire size | 24.00 - 20.00 |
| Cable Ø | 17.60 - 19.50 mm |
| Status | active |
| Matching parts | EGG.5B.348.CYP |

Download

[Request a quote](#)

[Eplan](#)

[Catalog](#)

TECHNICAL DETAILS

Mechanics

| | |
|-------------------|-------------------------------------------------------------------------------------------------------------------------------|
| Shell Style/Model | FG*: Straight plug, cable collet |
| Keying | 1 key (alpha=0, plug: male contacts, receptacle: female contacts) |
| Housing Material | Brass (chrome plated [SAE AMS 2460]) shell and collet nut, nickel plated [SAE AMS QQ N 290] brass latch sleeve and mid pieces |
| Weight | 313.62 g |

Performance

| | |
|---------------|----------------------------|
| Configuration | 5B.348 : 48 Low Voltage |
| Insulator | Y: PEEK for crimp contacts |
| Rated Current | 6 Amps |

Specifications

| | |
|--------------------------|-------------------------------|
| Contact Type: | Crimp |
| Contact Retention: | 40 N |
| Contact Dia.: | 1.3 mm (0.051in) |
| Bucket Dia.: | 1.1 mm (0.043in) |
| Max. Solid Conductor: | 0.5 mm ² (AWG 20) |
| Max. Stranded Conductor: | 0.5 mm ² (AWG 20) |
| Min. Conductor: | 0.25 mm ² (AWG 24) |
| Max. Conductor: | 0.5 mm ² (AWG 20) |

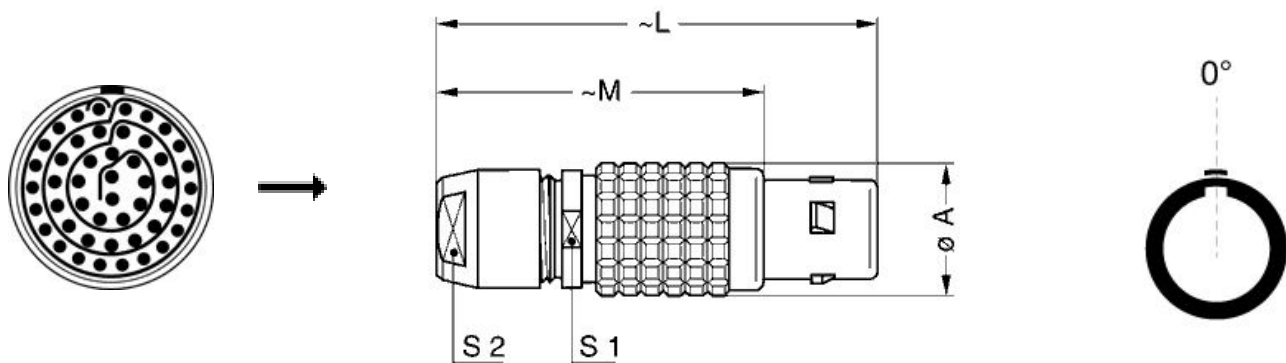
LEMO products and services are provided "as is". LEMO makes no warranties or representations with regard to LEMO product & services or use of them, express, implied or statutory, including for accuracy, completeness, or security. The user is fully responsible for his products and applications using LEMO components.

R (max): 3.6 mOhm
 Vtest (contact-shell): 1550 V (AC), 2200 V (DC)
 Vtest (contact-contact): 2000 V (AC), 2850 V (DC)

Others

Endurance (Shell): 5000
 Temp (min / max): -55°C / +250°C
 Humidity (max): <=95% [at 60 deg C / 140 F]
 Vibration: 15 g [10 Hz - 2000 Hz]
 Shock Resistance: 100 g [6 ms]
 Climatical Category: 50/175/21
 Shielding (min): 75 dB (10 MHz)
 Shielding (min): 40 dB (1 GHz)
 Salt Spray Corrosion: >1000 hr

DRAWINGS



Dimensions

| | A | L | M | S1 | S2 |
|-----|------|------|------|------|------|
| mm. | 35 | 103 | 78 | 31 | 30 |
| in. | 1,38 | 4,06 | 3,07 | 1,22 | 1,18 |

RECOMMENDED BY LEMO

LEMO products and services are provided "as is". LEMO makes no warranties or representations with regard to LEMO product & services or use of them, express, implied or statutory, including for accuracy, completeness, or security. The user is fully responsible for his products and applications using LEMO components.

Tools

| | |
|----------------------|--------------------------------|
| Crimp Tool: | DPC.91.701.V |
| Crimp settings: | AWG/Selector = 20-22-24/6-5-5 |
| Extractor: | DCF.91.133.5LT |
| Replacement contact: | FGG.5B.566.ZZC |
| Caps: | BFG.5B.100.NAS |

LEMO products and services are provided "as is". LEMO makes no warranties or representations with regard to LEMO product & services or use of them, express, implied or statutory, including for accuracy, completeness, or security. The user is fully responsible for his products and applications using LEMO components.

Mouser Electronics

Authorized Distributor

Click to View Pricing, Inventory, Delivery & Lifecycle Information:

[LEMO:](#)

[FGG.5B.348.CYBD19](#)