

## SUMMARY

### # Wires

Low voltage 20



Image is for illustrative purpose only

Series 5B  
Termination type Male crimp  
IP rating 50  
AWG wire size 18.00 - 14.00  
Cable Ø 11.60 - 13.50 mm  
Status active  
Matching parts [EGG.5B.320.CLL](#)  
[PFG.5B.320.CYMD13](#)

### Download

[Request a quote](#)  
[Eplan](#)  
[Catalog](#)  
[See video assembly instructions](#)

## TECHNICAL DETAILS

### Mechanics

Shell Style/Model FG\*: Straight plug, cable collet  
Keying 1 key (alpha=0, plug: male contacts, receptacle: female contacts)  
Housing Material Brass (chrome plated [SAE AMS 2460]) shell and collet nut, nickel plated [SAE AMS QQ N 290] brass latch sleeve and mid pieces  
Weight 317.60 g

### Performance

Configuration 5B.320 : 20 Low Voltage  
Insulator Y: PEEK for crimp contacts  
Rated Current 10 Amps

### Specifications

Contact Type: Crimp  
Contact Retention: 50 N  
Contact Dia.: 1.6 mm (0.063in)  
Bucket Dia.: 1.9 mm (0.075in)  
Min. Conductor: 1 mm<sup>2</sup> (AWG 18)  
Max. Conductor: 1.5 mm<sup>2</sup> (AWG 14)  
R (max): 3.5 mOhm  
Vtest (contact-shell): 2400 V (AC), 3390 V (DC)

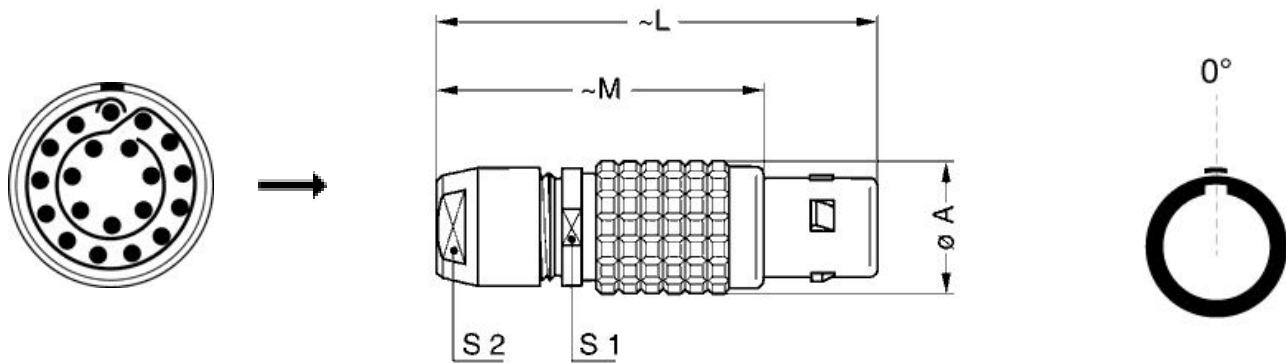
LEMO products and services are provided "as is". LEMO makes no warranties or representations with regard to LEMO product & services or use of them, express, implied or statutory, including for accuracy, completeness, or security. The user is fully responsible for his products and applications using LEMO components.

Vtest (contact-contact): 2200 V (AC), 3110 V (DC)

## Others

Endurance (Shell): 5000  
Temp (min / max): -55°C / +250°C  
Humidity (max): <=95% [at 60 deg C / 140 F]  
Vibration: 15 g [10 Hz - 2000 Hz]  
Shock Resistance: 100 g [ 6 ms]  
Climatical Category: 50/175/21  
Shielding (min): 75 dB (10 MHz)  
Shielding (min): 40 dB (1 GHz)  
Salt Spray Corrosion: >1000 hr

## DRAWINGS



## Dimensions

	A	L	M	S1	S2
mm.	35	103	78	31	30
in.	1,38	4,06	3,07	1,22	1,18

## RECOMMENDED BY LEMO

### Tools

LEMO products and services are provided "as is". LEMO makes no warranties or representations with regard to LEMO product & services or use of them, express, implied or statutory, including for accuracy, completeness, or security. The user is fully responsible for his products and applications using LEMO components.

Crimp Tool: [DPC.91.101.A](#)  
Crimp settings: AWG/Selector = 14-16-18/7-6-5  
Positionner: [DCE.91.165.BVCM](#)  
Extractor: [DCF.91.163.5LT](#)  
Replacement contact: FGG.5B.570.ZZC  
Caps: [BFG.5B.100.NAS](#)

*LEMO products and services are provided "as is". LEMO makes no warranties or representations with regard to LEMO product & services or use of them, express, implied or statutory, including for accuracy, completeness, or security. The user is fully responsible for his products and applications using LEMO components.*

# Mouser Electronics

Authorized Distributor

Click to View Pricing, Inventory, Delivery & Lifecycle Information:

[LEMO:](#)

[FGG.5B.320.CYCD13](#)