

SUMMARY



Image is for illustrative purpose only

Wires

Low voltage 2

Series	3B
Termination type	Male crimp
IP rating	50
AWG wire size	14.00 - 10.00
Cable Ø	7.80 - 9.20 mm
Status	active
Alternative part	FGG.3B.302.CYCD92
Matching parts	EGG.3B.302.CYM

Download

- [Request a quote](#)
- [Catalog](#)
- [See video assembly instructions](#)

TECHNICAL DETAILS

Mechanics

Shell Style/Model	FG*: Straight plug, cable collet
Keying	1 key (alpha=0, plug: male contacts, receptacle: female contacts)
Housing Material	Brass (chrome plated [SAE AMS 2460]) shell and collet nut, nickel plated [SAE AMS QQ N 290] brass latch sleeve and mid pieces
Weight	48.62 g

Performance

Configuration	3B.302 : 2 Low Voltage
Insulator	Y: PEEK for crimp contacts
Rated Current	35 Amps

Specifications

Contact Type: Crimp
Contact Retention: 75 N
Contact Dia.: 3 mm (0.118in)
Bucket Dia.: 2.9 mm (0.114in)
Min. Conductor: 2.5 mm² (AWG 14)
Max. Conductor: 4 mm² (AWG 10)
R (max): 3.1 mOhm
Vtest (contact-shell): 1800 V (AC), 2550 V (DC)

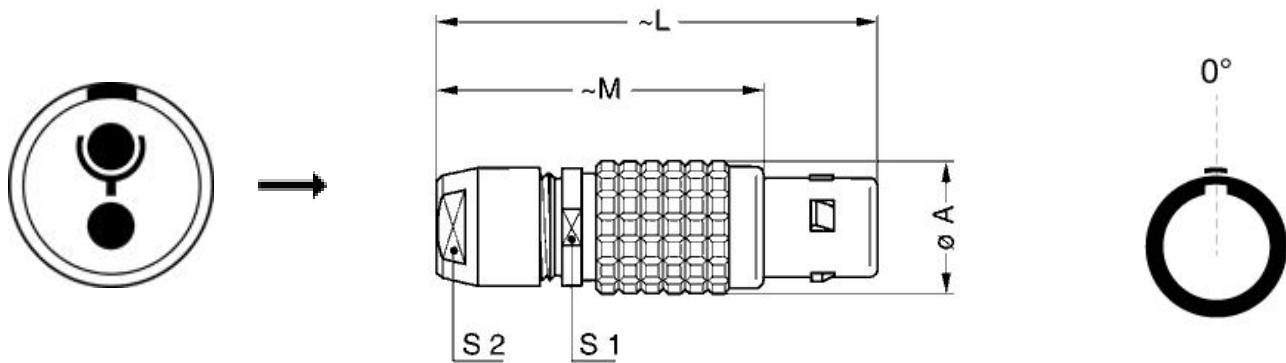
LEMO products and services are provided "as is". LEMO makes no warranties or representations with regard to LEMO product & services or use of them, express, implied or statutory, including for accuracy, completeness, or security. The user is fully responsible for his products and applications using LEMO components.

Vtest (contact-contact): 2300 V (AC), 3250 V (DC)

Others

Endurance (Shell): 5000
Temp (min / max): -55°C / +250°C
Humidity (max): <=95% [at 60 deg C / 140 F]
Vibration: 15 g [10 Hz - 2000 Hz]
Shock Resistance: 100 g [6 ms]
Climatical Category: 50/175/21
Shielding (min): 75 dB (10 MHz)
Shielding (min): 40 dB (1 GHz)
Salt Spray Corrosion: >1000 hr

DRAWINGS



Dimensions

	A	L	M	S1	S2
mm.	18	58	43	15	14
in.	0,71	2,28	1,69	0,59	0,55

RECOMMENDED BY LEMO

Tools

LEMO products and services are provided "as is". LEMO makes no warranties or representations with regard to LEMO product & services or use of them, express, implied or statutory, including for accuracy, completeness, or security. The user is fully responsible for his products and applications using LEMO components.

Crimp Tool: [DPC.91.102.V](#)
 Crimp settings: AWG/Selector = 10-12-14/3-1-1
 Positionner: [DCE.91.303.BVCM](#)
 Extractor: [DCF.91.303.5LT](#)
 Replacement contact: FGG.3B.580.ZZC
 Spanner wrench: [DCD.3B.040.PA140](#)
 Caps: [BFG.3B.100.PCSG](#)

Cables

CMN.02.T12.078PGZE		Grey	
CMN.02.T12.078PNZE		Black	
CMN.02.T14.078PGZE		Grey	
CMN.02.T14.078PNZE			

LEMO products and services are provided "as is". LEMO makes no warranties or representations with regard to LEMO product & services or use of them, express, implied or statutory, including for accuracy, completeness, or security. The user is fully responsible for his products and applications using LEMO components.

Mouser Electronics

Authorized Distributor

Click to View Pricing, Inventory, Delivery & Lifecycle Information:

[LEMO:](#)

[FGG.3B.302.CYCD82](#)