

## SUMMARY

### # Wires

Low voltage 18



*Image is for illustrative purpose only*

Series	2G
Termination type	Male solder
IP rating	50
AWG wire size	0.00 - 26.00
Cable Ø	0.00 - 0.00 mm
Status	active
Matching parts	<a href="#">EGG.2G.318.CLL</a>

### Download

[Request a quote](#)

[Catalog](#)

## TECHNICAL DETAILS

### Mechanics

Shell Style/Model	FGG*: Straight plug, cable collet
Keying	1 key (alpha=0, plug: male contacts, receptacle: female contacts)
Housing Material	Brass (chrome plated [SAE AMS 2460]) shell and collet nut, nickel plated [SAE AMS QQ N 290] brass latch sleeve and mid pieces
Weight	13.85 g

### Performance

Configuration	2G.318 : 18 Low Voltage
Insulator	L: PEEK (UL 94 / V-0/1.5)
Rated Current	5.5 Amps

### Specifications

Contact Type: Solder  
V<sub>test</sub> (contact-shell): 1400 V (AC), 2000 V (DC)  
V<sub>test</sub> (contact-contact): 1400 V (AC), 2000 V (DC)

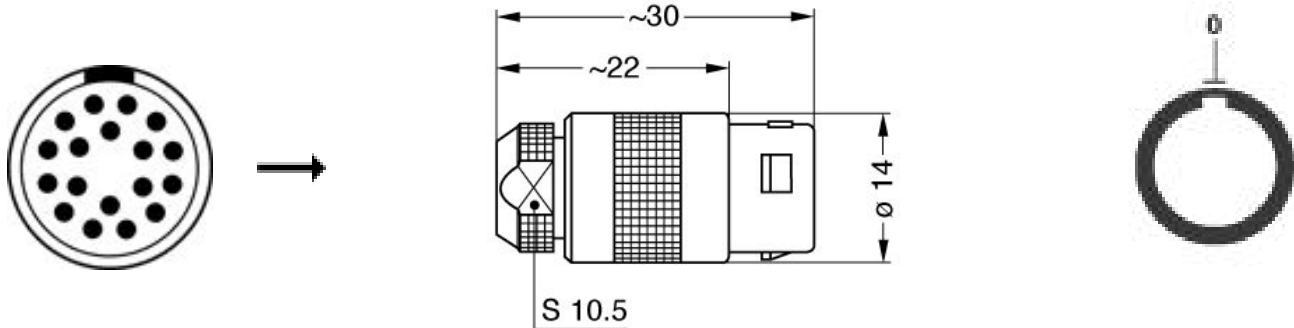
### Others

Endurance (Shell): 500 mating cycles  
Salt Spray Corrosion: >1000 hr

*LEMO products and services are provided "as is". LEMO makes no warranties or representations with regard to LEMO product & services or use of them, express, implied or statutory, including for accuracy, completeness, or security. The user is fully responsible for his products and applications using LEMO components.*

---

## DRAWINGS



### Dimensions

	A	L	M	S2
mm.	14	30	22	10.5
in.	0,55	1,18	0,87	0,41

---

## RECOMMENDED BY LEMO

### Tools

LEMO products and services are provided "as is". LEMO makes no warranties or representations with regard to LEMO product & services or use of them, express, implied or statutory, including for accuracy, completeness, or security. The user is fully responsible for his products and applications using LEMO components.

# Mouser Electronics

Authorized Distributor

Click to View Pricing, Inventory, Delivery & Lifecycle Information:

[LEMO:](#)

[FGG.2G.318.CLAD80](#)