

SUMMARY

Wires

Low voltage 18



Image is for illustrative purpose only

Series 2G
Termination type Male solder
IP rating 50
AWG wire size 0.00 - 26.00
Cable Ø 0.00 - 0.00 mm
Status active
Matching parts [EGG.2G.318.CLL](#)

Download

[Request a quote](#)

[Catalog](#)

TECHNICAL DETAILS

Mechanics

Shell Style/Model FGG*: Straight plug, cable collet and nut for fitting a bend relief
Keying 1 key (alpha=0, plug: male contacts, receptacle: female contacts)
Housing Material Brass (chrome plated [SAE AMS 2460]) shell and collet nut, nickel plated [SAE AMS QQ N 290] brass latch sleeve and mid pieces
Variant Z : Nut for fitting a bend relief
Weight 15.41 g

Performance

Configuration 2G.318 : 18 Low Voltage
Insulator L: PEEK (UL 94 / V-0/1.5)
Rated Current 5.5 Amps

Specifications

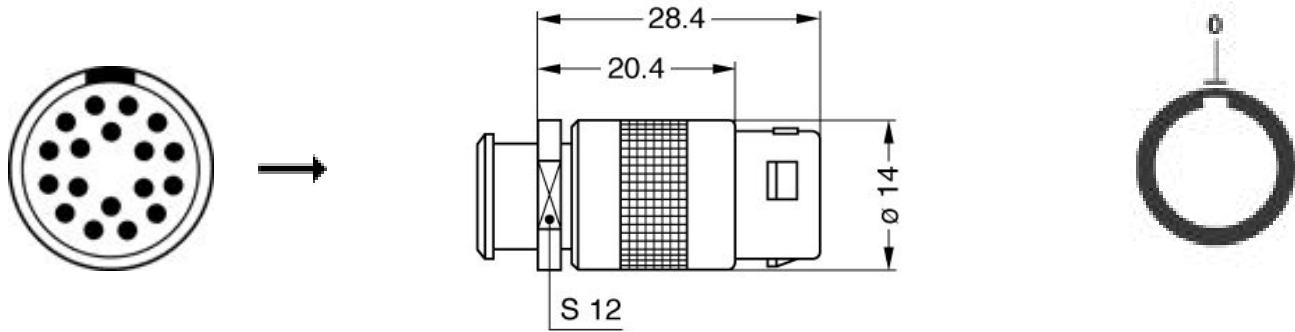
Contact Type: Solder
Vtest (contact-shell): 1400 V (AC), 2000 V (DC)
Vtest (contact-contact): 1400 V (AC), 2000 V (DC)

Others

Endurance (Shell): 500 mating cycles

LEMO products and services are provided "as is". LEMO makes no warranties or representations with regard to LEMO product & services or use of them, express, implied or statutory, including for accuracy, completeness, or security. The user is fully responsible for his products and applications using LEMO components.

DRAWINGS



Dimensions

	A	L	M	S2
mm.	14	28.4	20.4	12
in.	0,55	1,12	0,80	0,47

RECOMMENDED BY LEMO

Tools

LEMO products and services are provided "as is". LEMO makes no warranties or representations with regard to LEMO product & services or use of them, express, implied or statutory, including for accuracy, completeness, or security. The user is fully responsible for his products and applications using LEMO components.

Mouser Electronics

Authorized Distributor

Click to View Pricing, Inventory, Delivery & Lifecycle Information:

[LEMO:](#)

[FGG.2G.318.CLAD72Z](#)