

## SUMMARY

### # Wires

Low voltage 18



*Image is for illustrative purpose only*

Series 2G  
Termination type Male solder  
IP rating 50  
AWG wire size 0.00 - 26.00  
Cable Ø 0.00 - 0.00 mm  
Status active  
Matching parts [EGG.2G.318.CLL](#)

### Download

[Request a quote](#)

[Catalog](#)

## TECHNICAL DETAILS

### Mechanics

Shell Style/Model FGG\*: Straight plug, cable collet  
Keying 1 key (alpha=0, plug: male contacts, receptacle: female contacts)  
Housing Material Brass (chrome plated [SAE AMS 2460]) shell and collet nut, nickel plated [SAE AMS QQ N 290] brass latch sleeve and mid pieces  
Weight 14.27 g

### Performance

Configuration 2G.318 : 18 Low Voltage  
Insulator L: PEEK (UL 94 / V-0/1.5)  
Rated Current 5.5 Amps

### Specifications

Contact Type: Solder  
V<sub>test</sub> (contact-shell): 1400 V (AC), 2000 V (DC)  
V<sub>test</sub> (contact-contact): 1400 V (AC), 2000 V (DC)

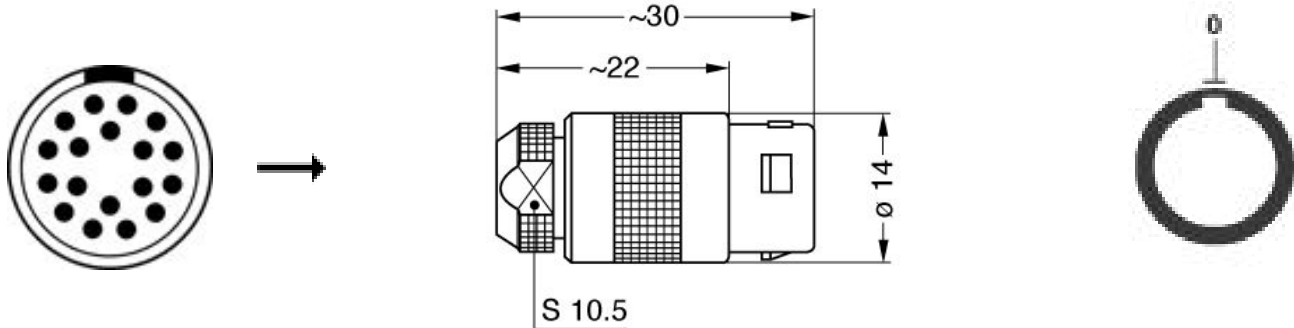
### Others

Endurance (Shell): 500 mating cycles  
Salt Spray Corrosion: >1000 hr

*LEMO products and services are provided "as is". LEMO makes no warranties or representations with regard to LEMO product & services or use of them, express, implied or statutory, including for accuracy, completeness, or security. The user is fully responsible for his products and applications using LEMO components.*

---

## DRAWINGS



### Dimensions

	A	L	M	S2
mm.	14	30	22	10.5
in.	0,55	1,18	0,87	0,41

---

## RECOMMENDED BY LEMO

### Tools

LEMO products and services are provided "as is". LEMO makes no warranties or representations with regard to LEMO product & services or use of them, express, implied or statutory, including for accuracy, completeness, or security. The user is fully responsible for his products and applications using LEMO components.

# Mouser Electronics

Authorized Distributor

Click to View Pricing, Inventory, Delivery & Lifecycle Information:

[LEMO:](#)

[FGG.2G.318.CLAD62](#)