

## SUMMARY



Image is for illustrative purpose only

### # Wires

Low voltage 7

|                  |   |
|------------------|---|
| Series           | 2B  |
| Termination type | Male solder   |
| IP rating        | 50  |
| AWG wire size    | 28.00 - 20.00   |
| Cable Ø          | 7.30 - 8.20 mm  |
| Status           | active  |
| Matching parts   | <a href="#">EGG.2B.307.CLL</a><br><a href="#">PHG.2B.307.CLLD82</a> |

### Download

- [Request a quote](#)
- [Eplan](#)
- [Catalog](#)
- [See video assembly instructions](#)

## TECHNICAL DETAILS

### Mechanics

|                   |   |
|-------------------|---|
| Shell Style/Model | FG*: Straight plug, cable collet  |
| Keying            | 1 key (alpha=0, plug: male contacts, receptacle: female contacts)   |
| Housing Material  | Brass (chrome plated [SAE AMS 2460]) shell and collet nut, nickel plated [SAE AMS QQ N 290] brass latch sleeve and mid pieces |
| Weight            | 28.84 g   |

### Performance

|               |                           |
|---------------|---------------------------|
| Configuration | 2B.307 : 7 Low Voltage    |
| Insulator     | L: PEEK (UL 94 / V-0/1.5) |
| Rated Current | 11 Amps                   |

### Specifications

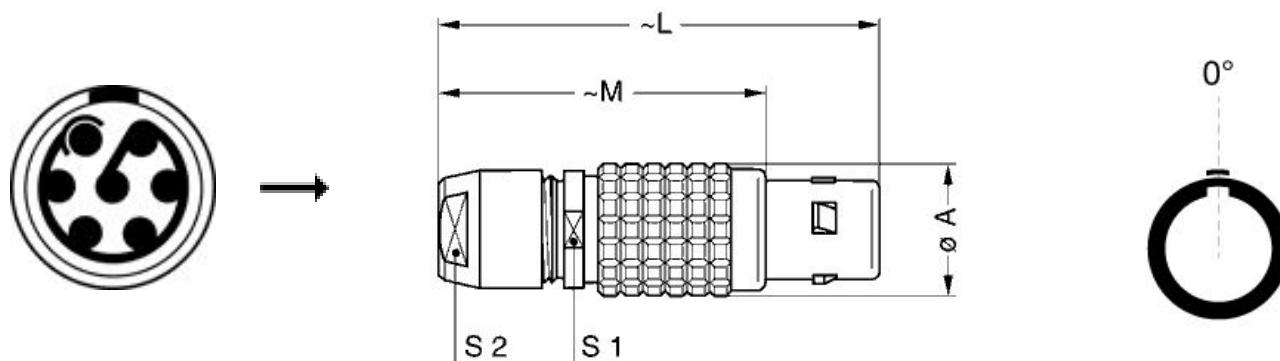
Contact Type: Solder  
Contact Dia.: 1.3 mm (0.051in)  
Bucket Dia.: 1 mm (0.039in)  
Max. Solid Conductor: 0.5 mm<sup>2</sup> (AWG 20)  
Max. Stranded Conductor: 0.5 mm<sup>2</sup> (AWG 20)  
R (max): 3.6 mOhm  
Vtest (contact-shell): 1600 V (AC), 2250 V (DC)  
Vtest (contact-contact): 1750 V (AC), 2500 V (DC)

LEMO products and services are provided "as is". LEMO makes no warranties or representations with regard to LEMO product & services or use of them, express, implied or statutory, including for accuracy, completeness, or security. The user is fully responsible for his products and applications using LEMO components.

## Others

Endurance (Shell): 5000  
Temp (min / max): -55 °C / +250 °C  
Humidity (max): <=95% [at 60 deg C / 140 F]  
Vibration: 15 g [10 Hz - 2000 Hz]  
Shock Resistance: 100 g [ 6 ms]  
Climatical Category: 50/175/21  
Shielding (min): 75 dB (10 MHz)  
Shielding (min): 40 dB (1 GHz)  
Salt Spray Corrosion: >1000 hr

## DRAWINGS



## Dimensions

|     | A    | L    | M    | S1   | S2   |
|-----|------|------|------|------|------|
| mm. | 15   | 50   | 38   | 13   | 12   |
| in. | 0,59 | 1,97 | 1,50 | 0,51 | 0,47 |

## RECOMMENDED BY LEMO


### Tools

Spanner wrench: [DCD.2B.025.PA120](#)

Caps: [BFG.2B.100.PCSG](#)

*LEMO products and services are provided "as is". LEMO makes no warranties or representations with regard to LEMO product & services or use of them, express, implied or statutory, including for accuracy, completeness, or security. The user is fully responsible for his products and applications using LEMO components.*

## Cables

|                    |     |      |  |
|--------------------|-----|------|--|
| 370500             | PVC | Grey |  |
| 717920             | PVC | Grey |  |
| CTR.75.030.121875G | PVC | Grey |  |

*LEMO products and services are provided "as is". LEMO makes no warranties or representations with regard to LEMO product & services or use of them, express, implied or statutory, including for accuracy, completeness, or security. The user is fully responsible for his products and applications using LEMO components.*

# Mouser Electronics

Authorized Distributor

Click to View Pricing, Inventory, Delivery & Lifecycle Information:

[LEMO:](#)

[FGG.2B.307.CLAD82](#)