

## SUMMARY

### # Wires

|         |   |
|---------|---|
| Low     | 4 |
| High    | 0 |
| Coax    | 0 |
| Triax   | 0 |
| Quad    | 0 |
| Fiber   | 0 |
| Fluidic | 0 |

|                  |                                |
|------------------|--------------------------------|
| Series           | 2B                             |
| Termination type | Male solder                    |
| IP rating        | 50                             |
| Cable Ø          | 0.00 - 0.00 mm                 |
| Status           | active                         |
| Alternative part |                                |
| Matching parts   | <a href="#">EGG.2B.304.CLL</a> |



Image is for illustrative purpose only

### Download

[Request a quote](#)

[Catalog](#)

[See video assembly instructions](#)

## TECHNICAL DETAILS

### Mechanics

|                   |   |
|-------------------|---|
| Shell Style/Model | FG*: Straight plug, cable collet  |
| Keying            | 1 key (alpha=0, plug: male contacts, receptacle: female contacts)                           |
| Housing Material  | Brass (chrome plated) shell and collet nut, nickel plated brass latch sleeve and mid pieces |
| Variant           |   |
| Weight            | 25.15 g   |

### Performance

|               |  |
|---------------|--|
| Configuration | 2B.304 : 4 Low Voltage                                   |
| Insulator     | L: PEEK (UL 94 / V-0/3.2, depends on material thickness) |
| Rated Current | 15 Amps  |

### Specifications

|                       |                              |
|-----------------------|------------------------------|
| Contact Type:         | Solder                       |
| Contact Dia.:         | 1.3 mm (0.051in)             |
| Bucket Dia.:          | 1 mm (0.039in)               |
| Max. Solid Conductor: | 0.5 mm <sup>2</sup> (AWG 20) |

LEMO products and services are provided "as is". LEMO makes no warranties or representations with regard to LEMO product & services or use of them, express, implied or statutory, including for accuracy, completeness, or security. The user is fully responsible for his products and applications using LEMO components.

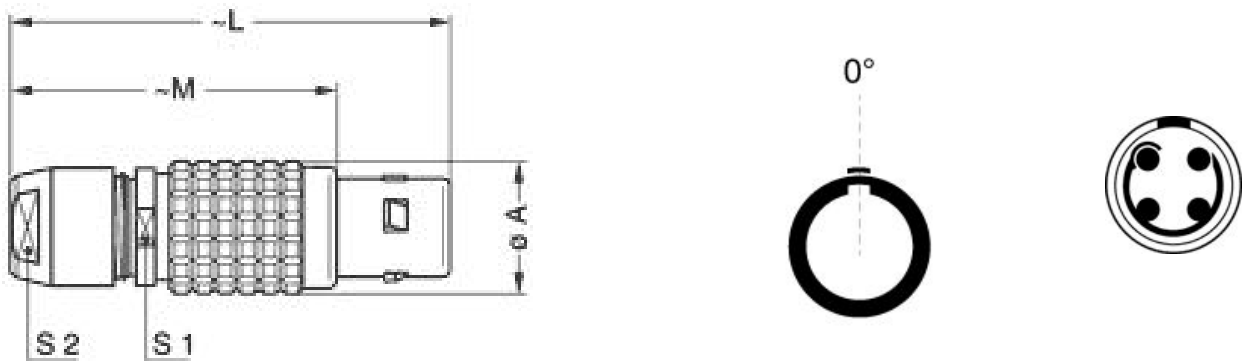
Max. Stranded Conductor: 0.5 mm<sup>2</sup> (AWG 20)  
 R (max): 3.6 mOhm  
 Vtest (contact-shell): 1850 V (AC), 2600 V (DC)  
 Vtest (contact-contact): 1850 V (AC), 2600 V (DC)

## Others

Endurance (Shell): 5000  
 Temp (min / max): -55 °C / +250 °C  
 Humidity (max): ≤95% [at 60 deg C / 140 F]  
 Vibration: 15 g [10 Hz - 2000 Hz]  
 Shock Resistance: 100 g [ 6 ms]  
 Climatical Category: 50/175/21  
 Shielding (min): 75 dB (10 MHz)  
 Shielding (min): 40 dB (1 GHz)  
 Salt Spray Corrosion: >1000 hr  
 IP Rating: 50

## DRAWINGS

### Draws



### Dimensions

|     | A    | L    | M    | S1   | S2   |
|-----|------|------|------|------|------|
| mm. | 15   | 50   | 38   | 13   | 12   |
| in. | 0,59 | 1,97 | 1,50 | 0,51 | 0,47 |

## RECOMMENDED BY LEMO

LEMO products and services are provided "as is". LEMO makes no warranties or representations with regard to LEMO product & services or use of them, express, implied or statutory, including for accuracy, completeness, or security. The user is fully responsible for his products and applications using LEMO components.

## Tools

Spanner wrench: DCD.2B.025.PA120

Caps: BFG.2B.100.PCSG

## Cables

*LEMO products and services are provided "as is". LEMO makes no warranties or representations with regard to LEMO product & services or use of them, express, implied or statutory, including for accuracy, completeness, or security. The user is fully responsible for his products and applications using LEMO components.*

# Mouser Electronics

Authorized Distributor

Click to View Pricing, Inventory, Delivery & Lifecycle Information:

[LEMO:](#)

[FGG.2B.304.CLAZ](#)