

## SUMMARY

### # Wires

Low voltage 19



*Image is for illustrative purpose only*

Series 2B  
Termination type Male crimp  
IP rating 50  
AWG wire size 32.00 - 28.00  
Cable Ø 5.30 - 6.20 mm  
Status active  
Matching parts [EGF.2B.319.CLL](#)

### Download

[Request a quote](#)

[Catalog](#)

## TECHNICAL DETAILS

### Mechanics

Shell Style/Model FG\*: Straight plug, cable collet  
Keying 2 keys (beta=145, plug: male contacts, receptacle: female contacts)  
Housing Material Brass (chrome plated [SAE AMS 2460]) shell and collet nut, nickel plated [SAE AMS QQ N 290] brass latch sleeve and mid pieces

### Performance

Configuration 2B.319 : 19 Low Voltage  
Insulator Y: PEEK for crimp contacts  
Rated Current 5 Amps

### Specifications

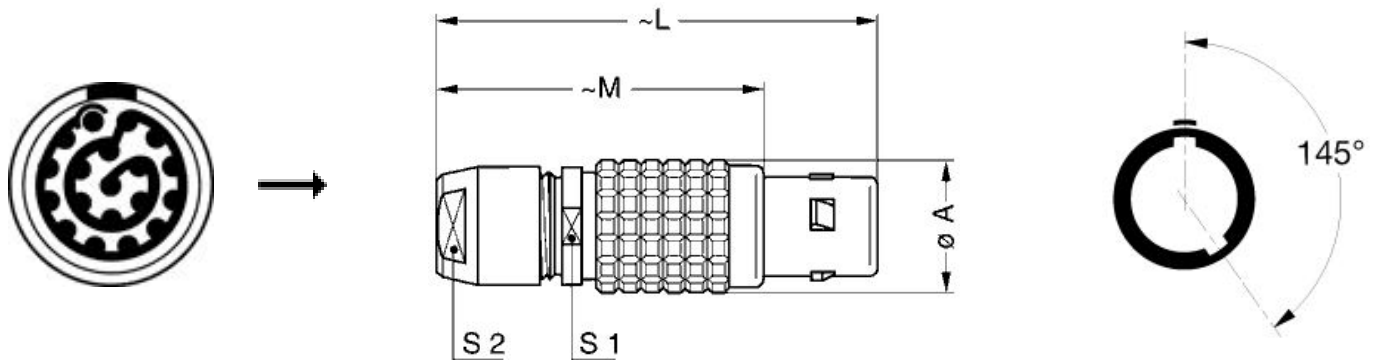
Contact Type: Crimp  
Contact Retention: 22 N  
Contact Dia.: 0.7 mm (0.028in)  
Bucket Dia.: 0.45 mm (0.018in)  
Min. Conductor: 0.035 mm<sup>2</sup> (AWG 32)  
Max. Conductor: 0.09 mm<sup>2</sup> (AWG 28)  
R (max): 6.1 mOhm  
V<sub>test</sub> (contact-shell): 1650 V (AC), 2350 V (DC)  
V<sub>test</sub> (contact-contact): 1550 V (AC), 2200 V (DC)

*LEMO products and services are provided "as is". LEMO makes no warranties or representations with regard to LEMO product & services or use of them, express, implied or statutory, including for accuracy, completeness, or security. The user is fully responsible for his products and applications using LEMO components.*

## Others

Endurance (Shell): 5000  
Temp (min / max): -55 °C / +250 °C  
Humidity (max): <=95% [at 60 deg C / 140 F]  
Vibration: 15 g [10 Hz - 2000 Hz]  
Shock Resistance: 100 g [ 6 ms]  
Climatical Category: 50/175/21  
Shielding (min): 75 dB (10 MHz)  
Shielding (min): 40 dB (1 GHz)  
Salt Spray Corrosion: >1000 hr

## DRAWINGS



## Dimensions

	A	L	M	S1	S2
mm.	15	50	38	13	12
in.	0,59	1,97	1,50	0,51	0,47

## RECOMMENDED BY LEMO

### Tools

Crimp Tool: [DPC.91.701.V](#)  
Crimp settings: AWG/Selector = 28-30-32/4-3-3

*LEMO products and services are provided "as is". LEMO makes no warranties or representations with regard to LEMO product & services or use of them, express, implied or statutory, including for accuracy, completeness, or security. The user is fully responsible for his products and applications using LEMO components.*

Positionner: [DCE.91.072.BVC](#)  
Extractor: [DCF.91.070.2LT](#)  
Replacement contact: FGG.2B.556.ZZC  
Spanner wrench: [DCD.2B.025.PA120](#)

*LEMO products and services are provided "as is". LEMO makes no warranties or representations with regard to LEMO product & services or use of them, express, implied or statutory, including for accuracy, completeness, or security. The user is fully responsible for his products and applications using LEMO components.*

# Mouser Electronics

Authorized Distributor

Click to View Pricing, Inventory, Delivery & Lifecycle Information:

[LEMO:](#)

[FGF.2B.319.CYBD62](#)