

## SUMMARY

### # Wires

Low voltage 8



Image is for illustrative purpose only

Series	3B
Termination type	Male solder
IP rating	50
AWG wire size	28.00 - 20.00
Cable Ø	7.80 - 9.20 mm
Status	active
Alternative part	<a href="#">FGD.3B.308.CLAD92</a>
Matching parts	<a href="#">EGD.3B.308.CLL</a> <a href="#">PHD.3B.308.CLLD82</a>

### Download

- [Request a quote](#)
- [Catalog](#)
- [See video assembly instructions](#)

## TECHNICAL DETAILS

### Mechanics

Shell Style/Model	FG*: Straight plug, cable collet
Keying	2 keys (gamma=95, plug: male contacts, receptacle: female contacts)
Housing Material	Brass (chrome plated [SAE AMS 2460]) shell and collet nut, nickel plated [SAE AMS QQ N 290] brass latch sleeve and mid pieces
Weight	46.95 g

### Performance

Configuration	3B.308 : 8 Low Voltage
Insulator	L: PEEK (UL 94 / V-0/1.5)
Rated Current	13 Amps

### Specifications

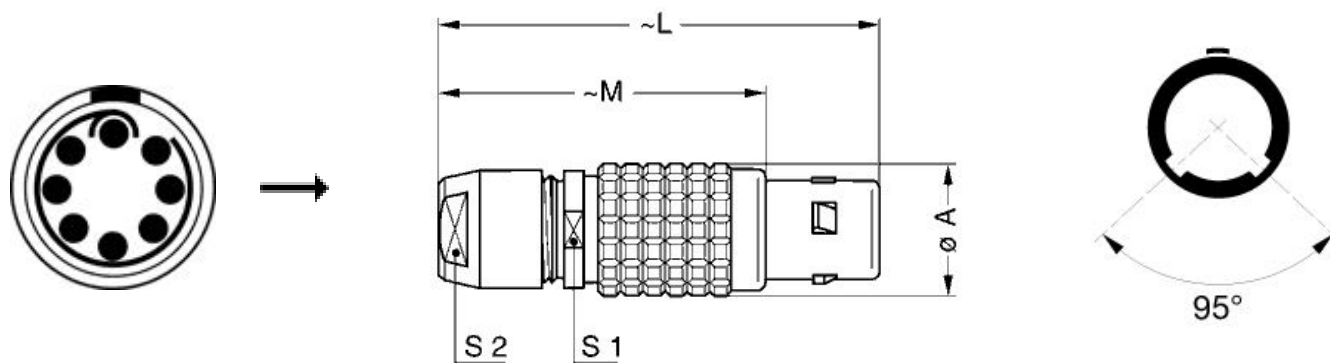
- Contact Type: Solder
- Contact Dia.: 1.3 mm (0.051in)
- Bucket Dia.: 1 mm (0.039in)
- Max. Solid Conductor: 0.5 mm<sup>2</sup> (AWG 20)
- Max. Stranded Conductor: 0.5 mm<sup>2</sup> (AWG 20)
- R (max): 3.6 mOhm
- Vtest (contact-shell): 1150 V (AC), 1630 V (DC)
- Vtest (contact-contact): 1650 V (AC), 2350 V (DC)

LEMO products and services are provided "as is". LEMO makes no warranties or representations with regard to LEMO product & services or use of them, express, implied or statutory, including for accuracy, completeness, or security. The user is fully responsible for his products and applications using LEMO components.

## Others

Endurance (Shell): 5000  
Temp (min / max): -55 °C / +250 °C  
Humidity (max): <=95% [at 60 deg C / 140 F]  
Vibration: 15 g [10 Hz - 2000 Hz]  
Shock Resistance: 100 g [ 6 ms]  
Climatical Category: 50/175/21  
Shielding (min): 75 dB (10 MHz)  
Shielding (min): 40 dB (1 GHz)  
Salt Spray Corrosion: >1000 hr

## DRAWINGS



## Dimensions

	A	L	M	S1	S2
mm.	18	58	43	15	14
in.	0,71	2,28	1,69	0,59	0,55

## RECOMMENDED BY LEMO

### Tools

Spanner wrench: [DCD.3B.040.PA140](#)

*LEMO products and services are provided "as is". LEMO makes no warranties or representations with regard to LEMO product & services or use of them, express, implied or statutory, including for accuracy, completeness, or security. The user is fully responsible for his products and applications using LEMO components.*

## Cables

380500	PVC	Grey	
--------	-----	------	--

*LEMO products and services are provided "as is". LEMO makes no warranties or representations with regard to LEMO product & services or use of them, express, implied or statutory, including for accuracy, completeness, or security. The user is fully responsible for his products and applications using LEMO components.*

# Mouser Electronics

Authorized Distributor

Click to View Pricing, Inventory, Delivery & Lifecycle Information:

[LEMO:](#)

[FGD.3B.308.CLAD82](#)