

SUMMARY

Wires

Low voltage	7
High voltage	2



Image is for illustrative purpose only

Series	4S
Termination type	Male solder Hybrid High-Voltage
IP rating	50
AWG wire size	0.00 - 0.00
Cable Ø	4.10 - 5.00 mm
Status	active
Matching parts	ERA.4S.737.CJL

Download

[Request a quote](#)

TECHNICAL DETAILS

Mechanics

Shell Style/Model	FFP*: Straight plug, cable collet and inner anti-rotating device
Keying	Hermaphroditic keying (half moon insert) with male pin 1
Housing Material	Brass (chrome plated [SAE AMS 2460]) shell and collet nut, nickel plated [SAE AMS QQ N 290] brass latch sleeve and mid pieces
Weight	144.42 g

Performance

Configuration	4S.737 : 2 High Voltage, 7 Low Voltage
Insulator	J: PEEK/PEEK
Rated Current	LV 9, HV 14 Amps

Specifications

Contact Type: Solder
Working voltage HV contact - Us (kV rms) 2.1
Test voltage LV Ue (kV rms) 3
Please use heatshrink to guarantee High Voltage performance □

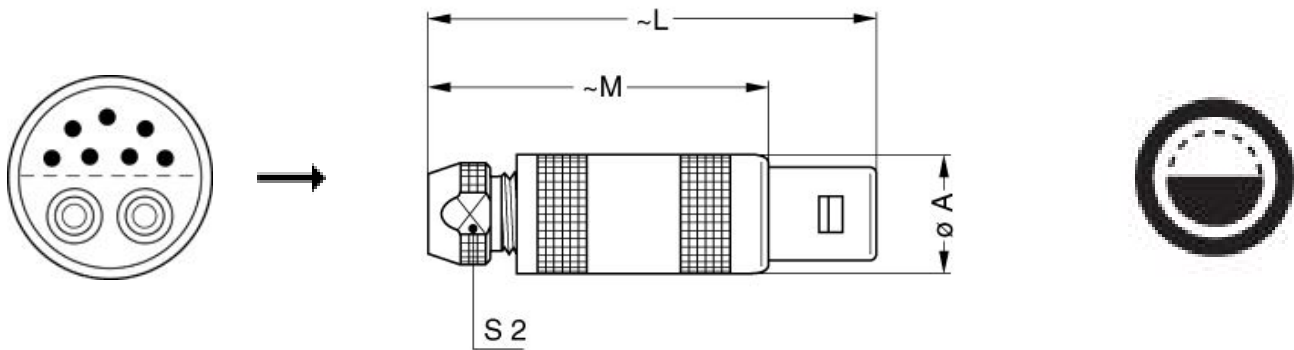
Others

Endurance (Shell): 5000 mating cycles

LEMO products and services are provided "as is". LEMO makes no warranties or representations with regard to LEMO product & services or use of them, express, implied or statutory, including for accuracy, completeness, or security. The user is fully responsible for his products and applications using LEMO components.

Temp (min / max): -55 °C / +250 °C
 Humidity (max): <=95% [at 60 deg C /140 F]
 Vibration: 15 g [10 Hz - 2000 Hz]
 Shock Resistance: 100 g [6 ms]
 Climatological Category: 50/175/21
 Shielding (min): 75 dB (10 MHz)
 Shielding (min): 40 dB (1 GHz)
 Salt Spray Corrosion: >144 hr

DRAWINGS



Dimensions

	A	L	M	S2
mm.	24.8	77	59	19
in.	0,98	3,03	2,32	0,75

RECOMMENDED BY LEMO

Tools

Caps: [BFA.4S.100.NAS](#)

LEMO products and services are provided "as is". LEMO makes no warranties or representations with regard to LEMO product & services or use of them, express, implied or statutory, including for accuracy, completeness, or security. The user is fully responsible for his products and applications using LEMO components.

LEMO products and services are provided "as is". LEMO makes no warranties or representations with regard to LEMO product & services or use of them, express, implied or statutory, including for accuracy, completeness, or security. The user is fully responsible for his products and applications using LEMO components.

Mouser Electronics

Authorized Distributor

Click to View Pricing, Inventory, Delivery & Lifecycle Information:

[LEMO:](#)

[FFP.4S.737.CJAC52](#)