

## SUMMARY

### # Wires

High voltage 1



Image is for illustrative purpose only

Series 1S  
Termination type Male solder High-Voltage  
IP rating 50  
AWG wire size 28.00 - 20.00  
Cable Ø 5.20 - 5.70 mm  
Status active  
Matching parts [ERA.1S.405.CTL](#)

### Download

[Request a quote](#)  
[Catalog](#)

## TECHNICAL DETAILS

### Mechanics

Shell Style/Model FFB\*: Straight plug, cable collet and safety locking ring  
Keying Circular, male  
Housing Material Brass (chrome plated [SAE AMS 2460]) shell and collet nut, nickel plated [SAE AMS QQ N 290] brass latch sleeve and mid pieces  
Weight 18.16 g

### Performance

Configuration 1S.405 : 1 High Voltage  
Insulator T: PTFE  
Rated Current 8 Amps

### Specifications

Contact Type: Solder  
Test voltage (kV DC) 10.5  
Test voltage (kV AC) 7.5  
Creepage distance min.: 10.5 mm

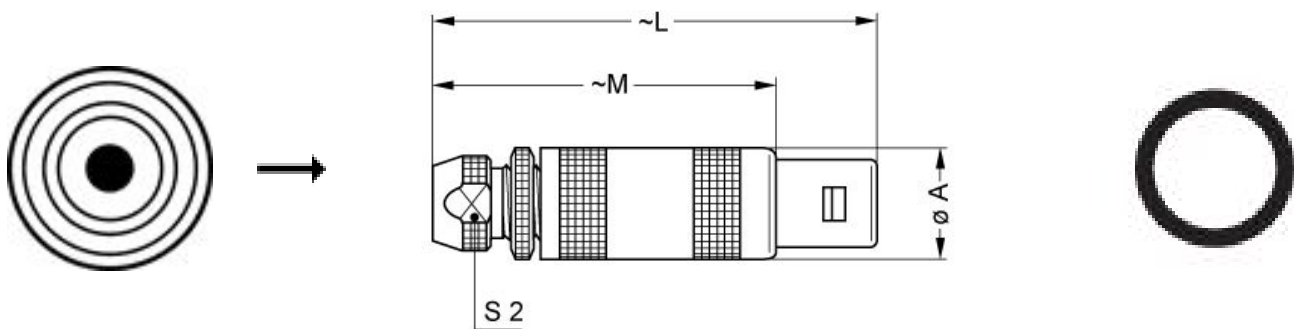
### Others

Endurance (Shell): 5000 mating cycles

LEMO products and services are provided "as is". LEMO makes no warranties or representations with regard to LEMO product & services or use of them, express, implied or statutory, including for accuracy, completeness, or security. The user is fully responsible for his products and applications using LEMO components.

Temp (min / max): -55 °C / +250 °C  
 Humidity (max): <=95% [at 60 deg C / 140 F]  
 Vibration: 15 g [10 Hz - 2000 Hz]  
 Shock Resistance: 100 g [ 6 ms]  
 Climatological Category: 50/175/21  
 Shielding (min): 75 dB (10 MHz)  
 Shielding (min): 40 dB (1 GHz)  
 Salt Spray Corrosion: >144 hr

## DRAWINGS



### Dimensions

|     | A    | L    | M    | S2   |
|-----|------|------|------|------|
| mm. | 12   | 45   | 34   | 8.5  |
| in. | 0,47 | 1,77 | 1,34 | 0,33 |

## RECOMMENDED BY LEMO

### Tools

Spanner wrench: [DCD.1S.015.PA085](#)

*LEMO products and services are provided "as is". LEMO makes no warranties or representations with regard to LEMO product & services or use of them, express, implied or statutory, including for accuracy, completeness, or security. The user is fully responsible for his products and applications using LEMO components.*

*LEMO products and services are provided "as is". LEMO makes no warranties or representations with regard to LEMO product & services or use of them, express, implied or statutory, including for accuracy, completeness, or security. The user is fully responsible for his products and applications using LEMO components.*

# Mouser Electronics

Authorized Distributor

Click to View Pricing, Inventory, Delivery & Lifecycle Information:

[LEMO:](#)

[FFB.1S.405.CTAC57](#)