

## SUMMARY



Image is for illustrative purpose only

### # Wires

Low voltage	20
Coax	8

Series	6S
Termination type	Male solder mixed / multi coax
IP rating	50
AWG wire size	0.00 - 0.00
Cable Ø	13.10 - 14.00 mm
Status	active
Matching parts	<a href="#">ERA.6S.899.CLL1</a>

### Download

- [Request a quote](#)
- [Catalog](#)

## TECHNICAL DETAILS

### Mechanics

Shell Style/Model	FFA*: Straight plug, cable collet
Keying	Hermaphroditic keying (half moon insert) with male pin 1
Housing Material	Brass (chrome plated [SAE AMS 2460]) shell and collet nut, nickel plated [SAE AMS QQ N 290] brass latch sleeve and mid pieces
Weight	619.25 g

### Performance

Configuration	6S.899 : 8 Coax (50 Ohm), 20 Low V.
Insulator	L: PEEK (UL 94 / V-0/1.5)
Rated Current	5 Amps

### Specifications

Vtest: 2100 V (AC), 3000 V (DC)  
Impedance: 50 Ohm  
Vtest (contact-shell): 1500 V (AC), 2150 V (DC)  
Cable type: RG 179 B/U, RG 187 A/U

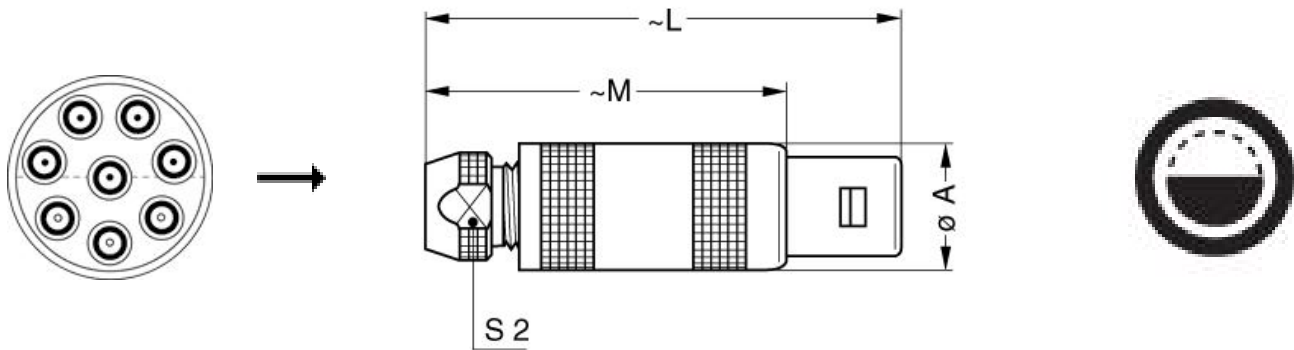
### Others

Endurance (Shell): 5000 mating cycles

LEMO products and services are provided "as is". LEMO makes no warranties or representations with regard to LEMO product & services or use of them, express, implied or statutory, including for accuracy, completeness, or security. The user is fully responsible for his products and applications using LEMO components.

Temp (min / max): -55 °C / +250 °C  
 Humidity (max): <=95% [at 60 deg C /140 F]  
 Vibration: 15 g [10 Hz - 2000 Hz]  
 Shock Resistance: 100 g [ 6 ms]  
 Climatical Category: 50/175/21  
 Shielding (min): 75 dB (10 MHz)  
 Shielding (min): 40 dB (1 GHz)  
 Salt Spray Corrosion: >144 hr

## DRAWINGS



### Dimensions

	A	L	M	S2
mm.	46	106	81	38
in.	1,81	4,17	3,19	1,50

## RECOMMENDED BY LEMO

### Tools

Caps: [BFA.6S.100.NAS](#)

*LEMO products and services are provided "as is". LEMO makes no warranties or representations with regard to LEMO product & services or use of them, express, implied or statutory, including for accuracy, completeness, or security. The user is fully responsible for his products and applications using LEMO components.*

*LEMO products and services are provided "as is". LEMO makes no warranties or representations with regard to LEMO product & services or use of them, express, implied or statutory, including for accuracy, completeness, or security. The user is fully responsible for his products and applications using LEMO components.*

# Mouser Electronics

Authorized Distributor

Click to View Pricing, Inventory, Delivery & Lifecycle Information:

[LEMO:](#)

[FFA.6S.899.CLAC143](#)