

## SUMMARY



Image is for illustrative purpose only

### # Wires

|                  |                                |
|------------------|--------------------------------|
| Triax            | 1                              |
| Series           | 2S                             |
| Termination type | Male solder                    |
| IP rating        | 50                             |
| AWG wire size    | 0.00 - 0.00                    |
| Cable Ø          | 8.30 - 8.70 mm                 |
| Status           | active                         |
| Matching parts   | <a href="#">ERA.2S.675.CTL</a> |

### Download

- [Request a quote](#)
- [Catalog](#)

## TECHNICAL DETAILS

### Mechanics

|                   |   |
|-------------------|---|
| Shell Style/Model | FFA*: Straight plug, cable collet   |
| Keying            | Circular, male  |
| Housing Material  | Brass (chrome plated [SAE AMS 2460]) shell and collet nut, nickel plated [SAE AMS QQ N 290] brass latch sleeve and mid pieces |
| Weight            | 33.48 g   |

### Performance

|               |                           |
|---------------|---------------------------|
| Configuration | 2S.675 : 1 Triax (75 Ohm) |
| Insulator     | T: PTFE                   |
| Rated Current | 6 Amps                    |

### Specifications

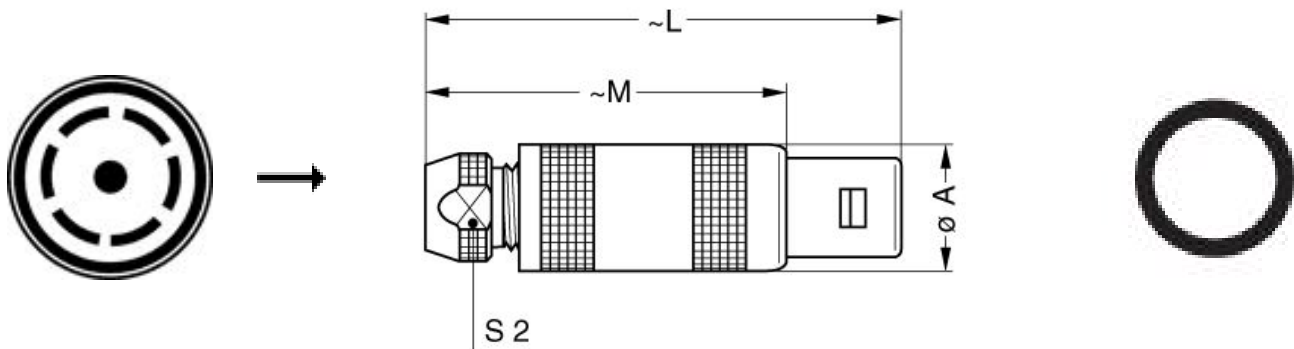
Contact Type: Solder  
Vtest: 1200 V (AC), 1700 V (DC)  
Impedance: 75 Ohm  
VSWR: 1.02 + 0.07 \* f/GHz  
Cable type: Belden 8215,8232A,HF-2426,Triax 8 Nokia,375 029 LEDE, RGT 179

### Others

LEMO products and services are provided "as is". LEMO makes no warranties or representations with regard to LEMO product & services or use of them, express, implied or statutory, including for accuracy, completeness, or security. The user is fully responsible for his products and applications using LEMO components.

Endurance (Shell): 5000 mating cycles  
 Temp (min / max): -55 °C / +250 °C  
 Humidity (max): <=95% [at 60 deg C / 140 F]  
 Vibration: 15 g [10 Hz - 2000 Hz]  
 Shock Resistance: 100 g [ 6 ms]  
 Climatical Category: 50/175/21  
 Shielding (min): 75 dB (10 MHz)  
 Shielding (min): 40 dB (1 GHz)  
 Salt Spray Corrosion: >144 hr

## DRAWINGS



### Dimensions

|     | A    | L    | M    | S2   |
|-----|------|------|------|------|
| mm. | 14.8 | 52   | 40   | 11   |
| in. | 0,58 | 2,05 | 1,57 | 0,43 |

## RECOMMENDED BY LEMO

### Tools

Spanner wrench: [DCD.2S.025.PA110](#)

*LEMO products and services are provided "as is". LEMO makes no warranties or representations with regard to LEMO product & services or use of them, express, implied or statutory, including for accuracy, completeness, or security. The user is fully responsible for his products and applications using LEMO components.*

*LEMO products and services are provided "as is". LEMO makes no warranties or representations with regard to LEMO product & services or use of them, express, implied or statutory, including for accuracy, completeness, or security. The user is fully responsible for his products and applications using LEMO components.*

# Mouser Electronics

Authorized Distributor

Click to View Pricing, Inventory, Delivery & Lifecycle Information:

[LEMO:](#)

[FFA.2S.675.CTAC87](#)