

## SUMMARY



Image is for illustrative purpose only

### # Wires

Low voltage 1

Series 2S  
Termination type Male solder  
IP rating 50  
AWG wire size 0.00 - 12.00  
Cable Ø 5.30 - 6.20 mm  
Status active  
Matching parts [ERA.2S.130.CTL](#)

### Download

[Request a quote](#)  
[Catalog](#)

## TECHNICAL DETAILS

### Mechanics

Shell Style/Model FFA\*: Straight plug, cable collet  
Keying Circular, male  
Housing Material Brass (chrome plated [SAE AMS 2460]) shell and collet nut, nickel plated [SAE AMS QQ N 290] brass latch sleeve and mid pieces  
Weight 32.28 g

### Performance

Configuration 2S.130 : 1 Low Voltage  
Insulator T: PTFE  
Rated Current 30 Amps

### Specifications

Contact Type: Solder  
V<sub>test</sub> (contact-shell): 2100 V (AC), 3000 V (DC)  
V<sub>test</sub> (contact-contact): 2100 V (AC), 3000 V (DC)

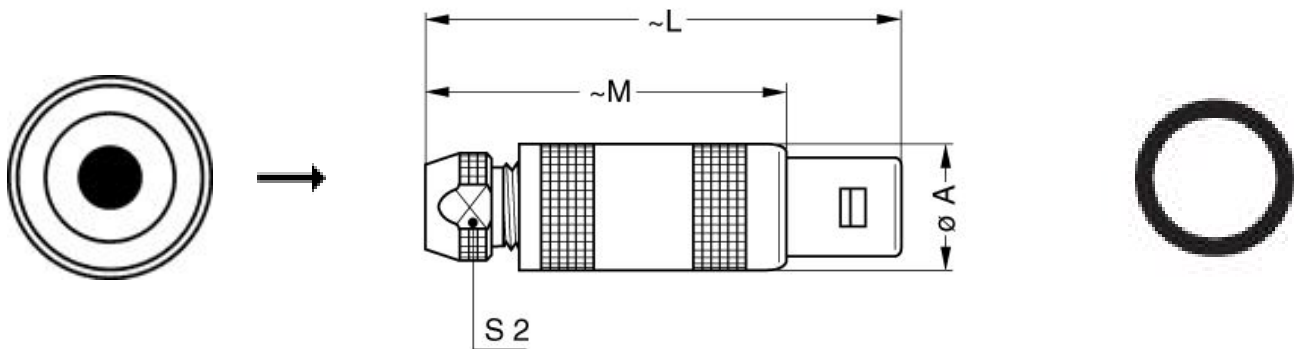
### Others

Endurance (Shell): 5000 mating cycles  
Temp (min / max): -55°C / +250°C

LEMO products and services are provided "as is". LEMO makes no warranties or representations with regard to LEMO product & services or use of them, express, implied or statutory, including for accuracy, completeness, or security. The user is fully responsible for his products and applications using LEMO components.

Humidity (max): <=95% [at 60 deg C /140 F]  
 Vibration: 15 g [10 Hz - 2000 Hz]  
 Shock Resistance: 100 g [ 6 ms]  
 Climatical Category: 50/175/21  
 Shielding (min): 75 dB (10 MHz)  
 Shielding (min): 40 dB (1 GHz)  
 Salt Spray Corrosion: >144 hr

## DRAWINGS



### Dimensions

	A	L	M	S2
mm.	14.8	52	40	11
in.	0,58	2,05	1,57	0,43

## RECOMMENDED BY LEMO

### Tools

Spanner wrench: [DCD.2S.025.PA110](#)

*LEMO products and services are provided "as is". LEMO makes no warranties or representations with regard to LEMO product & services or use of them, express, implied or statutory, including for accuracy, completeness, or security. The user is fully responsible for his products and applications using LEMO components.*

# Mouser Electronics

Authorized Distributor

Click to View Pricing, Inventory, Delivery & Lifecycle Information:

[LEMO:](#)

[FFA.2S.130.CTAC62](#)