

## SUMMARY

### # Wires

Low voltage 1



*Image is for illustrative purpose only*

Series 00  
Termination type Male solder  
IP rating 50  
AWG wire size 28.00 - 20.00  
Cable Ø 2.80 - 3.10 mm  
Status **obsolete**  
Alternative part [FFA.00.113.CLAC31](#)  
Matching parts [ERA.00.113.CLL](#)

### Download

[Request a quote](#)

[Catalog](#)

## TECHNICAL DETAILS

### Mechanics

Shell Style/Model FFA\*: Straight plug with cable collet  
Keying Circular, male  
Housing Material Brass (chrome plated [SAE AMS 2460]) shell and collet nut, nickel plated [SAE AMS QQ N 290] brass latch sleeve and mid pieces  
Weight 2.97 g

### Performance

Configuration 00.113 : 1 Low Voltage  
Insulator L: PEEK (UL 94 / V-0/1.5)  
Rated Current 8 Amps

### Specifications

Contact Type: Solder  
Vtest: 850 V (AC), 1200 V (DC)

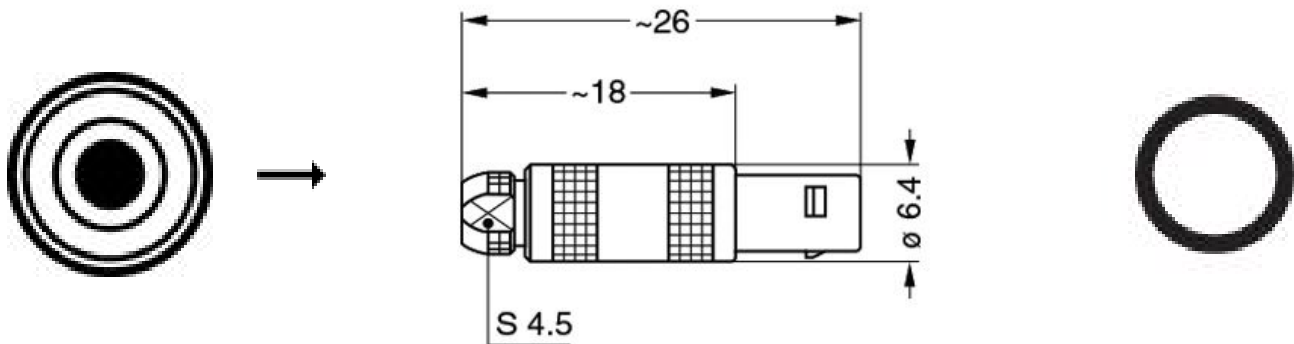
### Others

Salt Spray Corrosion: >1000 hr

*LEMO products and services are provided "as is". LEMO makes no warranties or representations with regard to LEMO product & services or use of them, express, implied or statutory, including for accuracy, completeness, or security. The user is fully responsible for his products and applications using LEMO components.*

---

## DRAWINGS



### Dimensions

	A	L	M
mm.	6.4	26	18
in.	0,25	1,02	0,71

---

## RECOMMENDED BY LEMO

### Tools

Spanner wrench: [DCD.00.003.PA045](#)

*LEMO products and services are provided "as is". LEMO makes no warranties or representations with regard to LEMO product & services or use of them, express, implied or statutory, including for accuracy, completeness, or security. The user is fully responsible for his products and applications using LEMO components.*

# Mouser Electronics

Authorized Distributor

Click to View Pricing, Inventory, Delivery & Lifecycle Information:

[LEMO:](#)

[FFA.00.113.CLAC29](#)