

SUMMARY



Image is for illustrative purpose only

Wires

Low voltage	16
Coax	2

Series	4B
Termination type	Male solder mixed / multi coax
IP rating	50
AWG wire size	30.00 - 22.00
Cable Ø	0.00 - 0.00 mm
Status	active
Matching parts	PHG.4B.856.CLLD01Z

Download

- [Request a quote](#)
- [Catalog](#)

TECHNICAL DETAILS

Mechanics

Shell Style/Model	FA*: Fixed plug, non-latching, nut fixing
Keying	1 key (alpha=0, plug: male contacts, receptacle: female contacts)
Housing Material	Brass (chrome plated [SAE AMS 2460]) shell and collet nut, nickel plated [SAE AMS QQ N 290] brass latch sleeve and mid pieces
Weight	83.52 g

Performance

Configuration	4B.856 : 2 Coax (50 Ohm), 16 Low V.
Insulator	L: PEEK (UL 94 / V-0/1.5)
Rated Current	8 Amps

Specifications

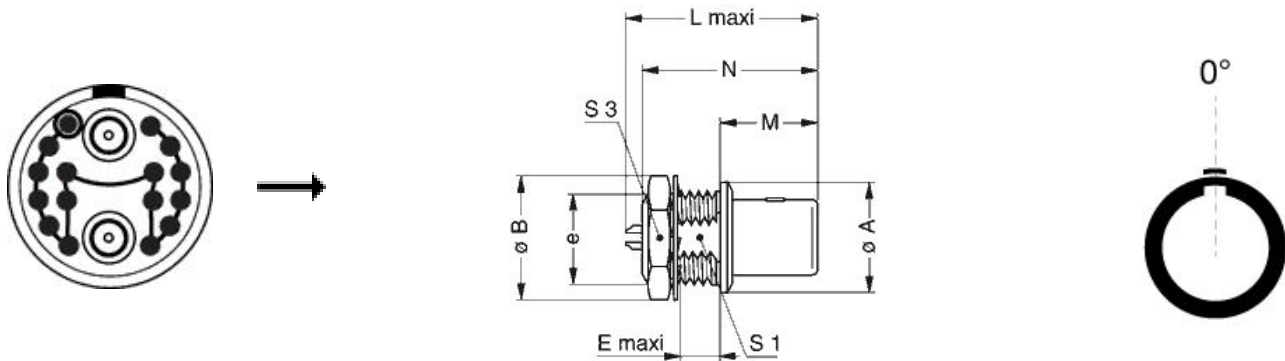
Contact Type: Coaxial 50 Ohm (Crimp) Type C
Contact Dia.: 0.7 mm (0.03in)
R (max): 5.8 mOhm
Test voltage (kV rms): 0.9
Test voltage (kV dc): 1.3
Cable type: RG 174 A/U, RG 188 A/U, RG 316 /U

Others

LEMO products and services are provided "as is". LEMO makes no warranties or representations with regard to LEMO product & services or use of them, express, implied or statutory, including for accuracy, completeness, or security. The user is fully responsible for his products and applications using LEMO components.

Endurance (Shell): 5000
 Temp (min / max): -55°C / +250°C
 Humidity (max): <=95% [at 60 deg C / 140 F]
 Vibration: 15 g [10 Hz - 2000 Hz]
 Shock Resistance: 100 g [6 ms]
 Climatical Category: 50/175/21
 Shielding (min): 75 dB (10 MHz)
 Shielding (min): 40 dB (1 GHz)
 Salt Spray Corrosion: >1000 hr

DRAWINGS



Dimensions

	A	B	E	L	M	N	S1	S3	e
mm.	29	34	6.8	37.1	20.5	34.7	23.5	30	M25x1.0
in.	1,14	1,34	0,27	1,46	0,81	1,37	0,93	1,18	

RECOMMENDED BY LEMO

Tools

Extractor: [DCC.91.384.5LA](#)

Die Tool: [DPE.99.103.8K](#)

LEMO products and services are provided "as is". LEMO makes no warranties or representations with regard to LEMO product & services or use of them, express, implied or statutory, including for accuracy, completeness, or security. The user is fully responsible for his products and applications using LEMO components.

LEMO products and services are provided "as is". LEMO makes no warranties or representations with regard to LEMO product & services or use of them, express, implied or statutory, including for accuracy, completeness, or security. The user is fully responsible for his products and applications using LEMO components.

Mouser Electronics

Authorized Distributor

Click to View Pricing, Inventory, Delivery & Lifecycle Information:

[LEMO:](#)

[FAG.4B.856.CLA1](#)