

## SUMMARY



Image is for illustrative purpose only

### # Wires

Low voltage 4

Series 00  
Termination type Male crimp  
IP rating 50  
AWG wire size 32.00 - 28.00  
Cable Ø 0.00 - 0.00 mm  
Status active

### Download

[Request a quote](#)  
[Catalog](#)

## TECHNICAL DETAILS

### Mechanics

Shell Style/Model FA\*: Fixed plug, non-latching, nut fixing  
Keying 1 key (alpha=0, plug: male contacts, receptacle: female contacts)  
Housing Material Brass (chrome plated [SAE AMS 2460]) shell and collet nut, nickel plated [SAE AMS QQ N 290] brass latch sleeve and mid pieces  
Weight 4.07 g

### Performance

Configuration 00.304 : 4 Low Voltage  
Insulator  
Rated Current 2 Amps

### Specifications

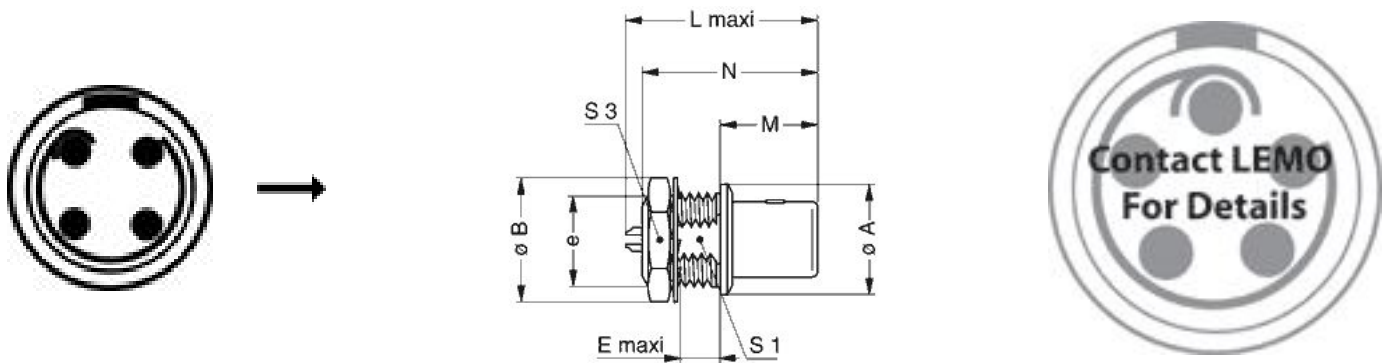
Contact Type: Crimp  
Contact Dia.: 0.5 mm (0.02in)  
Bucket Dia.: 0.45 mm (0.02in)  
Min. Conductor: 0.09 mm<sup>2</sup> (AWG 28)  
Max. Conductor: 0.035 mm<sup>2</sup> (AWG 32)  
R (max): 8.7 mOhm  
Vtest (contact-shell): 1050 V (AC), 1490 V (DC)  
Vtest (contact-contact): 1050 V (AC), 1490 V (DC)

LEMO products and services are provided "as is". LEMO makes no warranties or representations with regard to LEMO product & services or use of them, express, implied or statutory, including for accuracy, completeness, or security. The user is fully responsible for his products and applications using LEMO components.

## Others

Salt Spray Corrosion: >1000 hr

## DRAWINGS



## Dimensions

	A	B	E	L	M	N	S1	S3	e
mm.	8	10.3	2.9	18.1	9	15.0	6.3	9	M7x0.5
in.	0,31	0,41	0,11	0,71	0,35	0,59	0,25	0,35	

## RECOMMENDED BY LEMO


### Tools

- Crimp Tool: [DPC.91.701.V](#)  
Crimp settings: AWG/Selector = 28-30-32/4-3-3  
Extractor: [DCF.91.050.2LT](#)  
Replacement contact: FGG.00.554.ZZC

### Cables

CMN.04.T28.031PGCE	PVC	GREY	
--------------------	-----	------	--

LEMO products and services are provided "as is". LEMO makes no warranties or representations with regard to LEMO product & services or use of them, express, implied or statutory, including for accuracy, completeness, or security. The user is fully responsible for his products and applications using LEMO components.

CMN.04.T28.031PGZE		Grey	
CMN.04.T28.031PNCE	PVC	Black	
CMN.04.T28.031PNZE			
CMN.04.T28.031QGC	TPR	Grey	
40080	PVC	Black	
40086	PVC	Blue	
4041	PVC	Grey	
4050	PVC	Black	
4080	PVC	Grey	
417920	PVC	Grey	
4280	PVC	Black	
80080	PVC	Grey	
80082	PVC	Red	
80084	PVC	Black	
CTR.75.030.121870G	PVC	Grey	

LEMO products and services are provided "as is". LEMO makes no warranties or representations with regard to LEMO product & services or use of them, express, implied or statutory, including for accuracy, completeness, or security. The user is fully responsible for his products and applications using LEMO components.

# Mouser Electronics

Authorized Distributor

Click to View Pricing, Inventory, Delivery & Lifecycle Information:

[LEMO:](#)

[FAG.00.304.CYC](#)