

## SUMMARY

### # Wires

Low voltage 5



*Image is for illustrative purpose only*

Series 0B  
Termination type Female print PCB  
IP rating 50  
AWG wire size 30.00 - 22.00  
Cable Ø 0.00 - 0.00 mm  
Status active  
Matching parts [FGB.0B.305.CLAD3Z](#)

### Download

[Request a quote](#)  
[PCB Eagle Pattern](#)  
[PCB Altium Pattern](#)  
[PCB KiCad Pattern](#)  
[Catalog](#)

## TECHNICAL DETAILS

### Mechanics

Shell Style/Model EX\*: Elbow receptacle for printed circuit with two nuts (solder or screw fixing, back panel mounting)  
Keying 2 keys (alpha=60, plug: male contacts, receptacle: female contacts)  
Housing Material PPS (Polyphenylene) shell, other pieces nickel plated [SAE AMS QQ N 290] brass  
Weight 2.81 g

### Performance

Configuration 0B.305/EXG : 5 Low Voltage  
Insulator L: PEEK (UL 94 / V-0/1.5)  
Rated Current 4.5 Amps

### Specifications

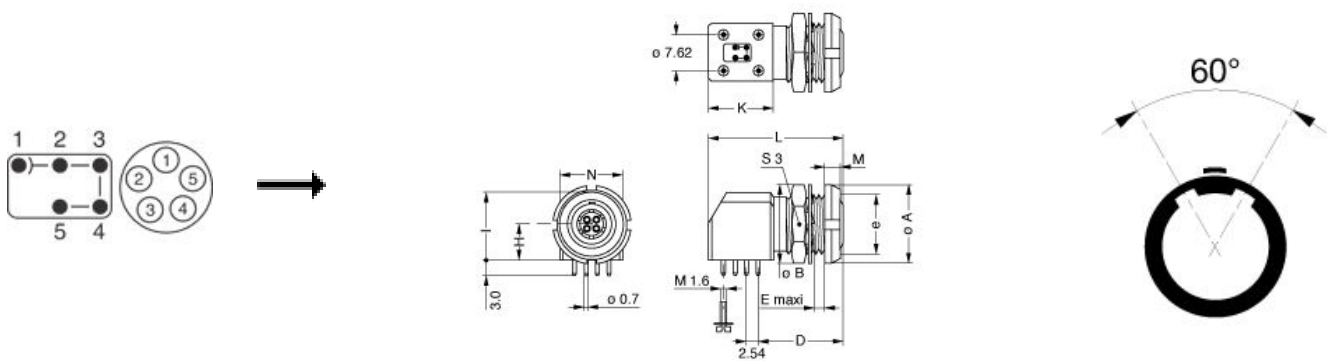
Contact Type: Print (straight)  
Contact Dia.: 0.7 mm (0.028in)  
R (max): 6.1 mOhm  
Test voltage contact-contact : 1.25 kV rms  
Test voltage contact-body shell : 1.2 kV rms

### Others

*LEMO products and services are provided "as is". LEMO makes no warranties or representations with regard to LEMO product & services or use of them, express, implied or statutory, including for accuracy, completeness, or security. The user is fully responsible for his products and applications using LEMO components.*

Endurance (Shell): 5000  
 Temp (min / max): -55 °C / +250 °C  
 Humidity (max): <=95% [at 60 deg C / 140 F]  
 Vibration: 15 g [10 Hz - 2000 Hz]  
 Shock Resistance: 100 g [ 6 ms]  
 Climatical Category: 50/175/21  
 Shielding (min): 75 dB (10 MHz)  
 Shielding (min): 40 dB (1 GHz)  
 Salt Spray Corrosion: >144 hr

## DRAWINGS



### Dimensions

|     | A    | B    | D    | E    | H    | I    | K    | L    | M    | N    | S3   | e      |
|-----|------|------|------|------|------|------|------|------|------|------|------|--------|
| mm. | 12   | 12.4 | 14.6 | 4.5  | 6.7  | 12.6 | 13.3 | 25   | 2.5  | 11.7 | 11   | M9x0.6 |
| in. | 0,47 | 0,49 | 0,57 | 0,18 | 0,26 | 0,50 | 0,52 | 0,98 | 0,10 | 0,46 | 0,43 |        |

## RECOMMENDED BY LEMO

### Tools

LEMO products and services are provided "as is". LEMO makes no warranties or representations with regard to LEMO product & services or use of them, express, implied or statutory, including for accuracy, completeness, or security. The user is fully responsible for his products and applications using LEMO components.

*LEMO products and services are provided "as is". LEMO makes no warranties or representations with regard to LEMO product & services or use of them, express, implied or statutory, including for accuracy, completeness, or security. The user is fully responsible for his products and applications using LEMO components.*

# Mouser Electronics

Authorized Distributor

Click to View Pricing, Inventory, Delivery & Lifecycle Information:

[LEMO:](#)

[EXB.0B.305.HLN](#)