

SUMMARY



Image is for illustrative purpose only

Wires

Low voltage	12
Coax	2

Series	4E
Termination type	Female solder mixed / multi
IP rating	68
AWG wire size	0.00 - 26.00
Cable Ø	0.00 - 0.00 mm
Status	active
Matching parts	FFA.4E.842.KLAK212

Download

- [Request a quote](#)
- [Catalog](#)

TECHNICAL DETAILS

Mechanics

Shell Style/Model	ERA*: Fixed receptacle, nut fixing
Keying	Hermaphroditic keying (half moon insert) with female pin 1
Housing Material	Brass (black chrome) shell and collet nut, nickel plated [SAE AMS QQ N 290] brass latch sleeve and mid pieces
Weight	101.37 g

Performance

Configuration	4E.842 : 2 Coax (50 Ohm), 12 Low V.
Insulator	L: PEEK (UL 94 / V-0/1.5)
Rated Current	7 Amps

Specifications

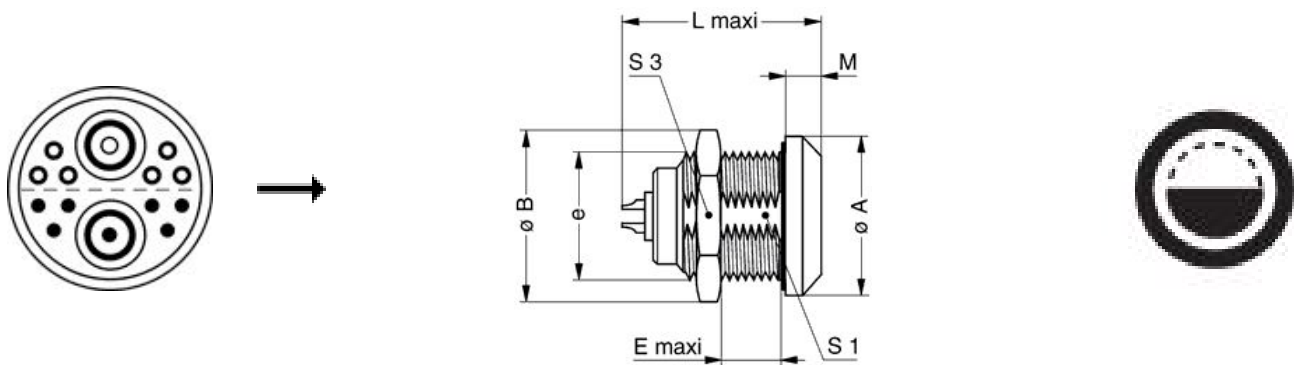
Vtest: 2100 V (AC), 3000 V (DC)
□
Impedance: 50 Ohm
Vtest: 1800 V (AC), 2400 V (DC)
Cable type: RG 178 B/U, RG 196 A/U

Others

LEMO products and services are provided "as is". LEMO makes no warranties or representations with regard to LEMO product & services or use of them, express, implied or statutory, including for accuracy, completeness, or security. The user is fully responsible for his products and applications using LEMO components.

Endurance (Shell): 5000 mating cycles
 Temp (min / max): -55°C / +200°C
 Humidity (max): <=95% [at 60 deg C / 140 F]
 Vibration: 15 g [10 Hz - 2000 Hz]
 Shock Resistance: 100 g [6 ms]
 Climatical Category: 50/175/21
 Shielding (min): 95 dB (10 MHz)
 Shielding (min): 80 dB (1 GHz)
 Salt Spray Corrosion: >1000 hr

DRAWINGS



Dimensions

	A	B	E	L	M	S1	S3	e
mm.	37	41.5	9	36	6.5	28.5	36	M30x1.0
in.	1,46	1,63	0,35	1,42	0,26	1,12	1,42	

RECOMMENDED BY LEMO

Tools

Spanner 2: [DCP.99.050.TC](#)

LEMO products and services are provided "as is". LEMO makes no warranties or representations with regard to LEMO product & services or use of them, express, implied or statutory, including for accuracy, completeness, or security. The user is fully responsible for his products and applications using LEMO components.

LEMO products and services are provided "as is". LEMO makes no warranties or representations with regard to LEMO product & services or use of them, express, implied or statutory, including for accuracy, completeness, or security. The user is fully responsible for his products and applications using LEMO components.

Mouser Electronics

Authorized Distributor

Click to View Pricing, Inventory, Delivery & Lifecycle Information:

[LEMO:](#)

[ERA.4E.842.KLL2](#)