

SUMMARY



Image is for illustrative purpose only

Wires

Low voltage	4
High voltage	2

Series	3E
Termination type	Female solder Hybrid
IP rating	68
AWG wire size	0.00 - 99.00
Cable Ø	0.00 - 0.00 mm
Status	active
Matching parts	FFA.3E.734.CJAC11

Download

[Request a quote](#)

TECHNICAL DETAILS

Mechanics

Shell Style/Model	ERA*: Fixed receptacle, nut fixing
Keying	Hermaphroditic keying (half moon insert) with female pin 1
Housing Material	Brass (chrome plated [SAE AMS 2460]) shell and collet nut, nickel plated [SAE AMS QQ N 290] brass latch sleeve and mid pieces
Weight	65.12 g

Performance

Configuration	3E.734 : 2 High V. 4 Low V.
Insulator	J: PEEK/PEEK
Rated Current	LV 10, HV 3 Amps

Specifications

Contact Type: Solder
Working voltage HV contact - Us (kV rms) 8
Test voltage LV Ue (kV rms) 1.8
Please use heatshrink to guarantee High Voltage performance □

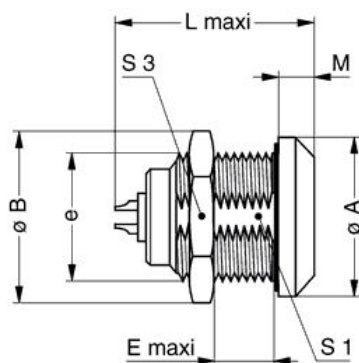
Others

Endurance (Shell): 5000 mating cycles

LEMO products and services are provided "as is". LEMO makes no warranties or representations with regard to LEMO product & services or use of them, express, implied or statutory, including for accuracy, completeness, or security. The user is fully responsible for his products and applications using LEMO components.

Temp (min / max): -55° C / +200° C
 Humidity (max): <=95% [at 60 deg C /140 F]
 Vibration: 15 g [10 Hz - 2000 Hz]
 Shock Resistance: 100 g [6 ms]
 Climatical Category: 50/175/21
 Shielding (min): 95 dB (10 MHz)
 Shielding (min): 80 dB (1 GHz)
 Salt Spray Corrosion: >1000 hr

DRAWINGS



Dimensions

	A	B	E	L	M	S1	S3	e
mm.	31	34	11	34	6	22.5	30	M24x1.0
in.	1,22	1,34	0,43	1,34	0,24	0,89	1,18	

RECOMMENDED BY LEMO

Tools

LEMO products and services are provided "as is". LEMO makes no warranties or representations with regard to LEMO product & services or use of them, express, implied or statutory, including for accuracy, completeness, or security. The user is fully responsible for his products and applications using LEMO components.

Mouser Electronics

Authorized Distributor

Click to View Pricing, Inventory, Delivery & Lifecycle Information:

[LEMO:](#)

[ERA.3E.734.CJL](#)