

## SUMMARY

### # Wires

Low voltage 19



*Image is for illustrative purpose only*

Series	3P
Termination type	Female solder
IP rating	61
AWG wire size	0.00 - 0.00
Cable Ø	0.00 - 0.00 mm
Status	active
Matching parts	<a href="#">FGG.3P.318.PLWD75R</a>

### Download

[Request a quote](#)

[Catalog](#)

## TECHNICAL DETAILS

### Mechanics

Shell Style/Model	EG*: Fixed receptacle, nut fixing with key
Keying	User configurable, 1 of 11 key positions. Plug: male contacts; Receptacle: female contacts
Housing Material	PSU (Polysulfone), gray
Weight	13.09 g

### Performance

Configuration	3P.318 : 18 Low Voltage + 1 Ground contact
Insulator	L: PEEK (UL 94 / V-0/1.5)
Rated Current	3 Amps

### Specifications

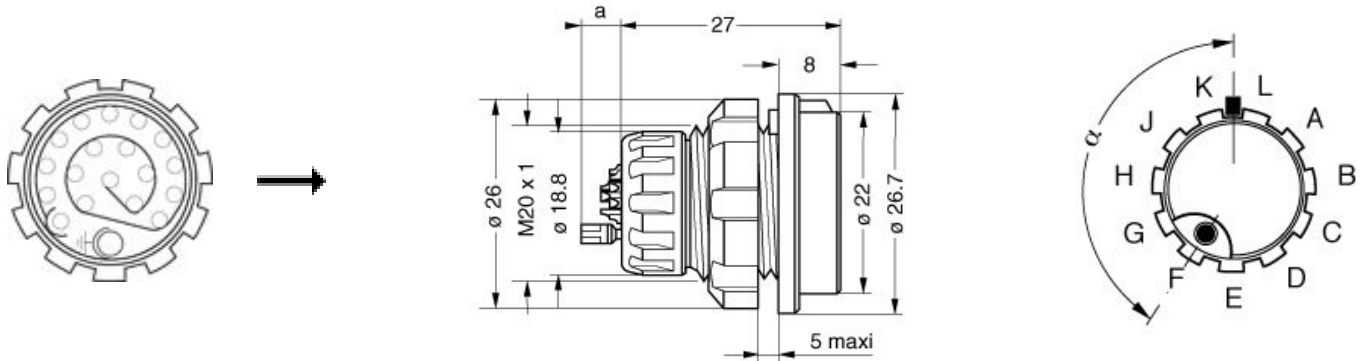
Contact Type: Special

### Others

Endurance (Shell): >1000 mating cycles  
Temp (min / max): -50°C / +150°C  
F ret (min): 100 N  
F ret (max): 200 N  
Steam sterilization: 20 times

*LEMO products and services are provided "as is". LEMO makes no warranties or representations with regard to LEMO product & services or use of them, express, implied or statutory, including for accuracy, completeness, or security. The user is fully responsible for his products and applications using LEMO components.*

# DRAWINGS



## Dimensions

	A	N	a
mm.	26.7	27	4.7
in.	1,05	1,06	0,19

# RECOMMENDED BY LEMO

## Tools

LEMO products and services are provided "as is". LEMO makes no warranties or representations with regard to LEMO product & services or use of them, express, implied or statutory, including for accuracy, completeness, or security. The user is fully responsible for his products and applications using LEMO components.

# Mouser Electronics

Authorized Distributor

Click to View Pricing, Inventory, Delivery & Lifecycle Information:

[LEMO:](#)

[EGG.3P.318.PLWA](#)