

SUMMARY



Image is for illustrative purpose only

Wires

Low voltage 11

Series	3P
Termination type	Female solder
IP rating	61
AWG wire size	30.00 - 22.00
Cable Ø	0.00 - 0.00 mm
Status	active
Matching parts	FGG.3P.310.PLWD85G

Download

[Request a quote](#)

[Catalog](#)

TECHNICAL DETAILS

Mechanics

Shell Style/Model	EG*: Fixed receptacle, nut fixing with key
Keying	User configurable, 1 of 11 key positions. Plug: male contacts; Receptacle: female contacts
Housing Material	PSU (Polysulfone), gray
Weight	14.39 g

Performance

Configuration	3P.310 : 10 Low Voltage + 1 Ground contact
Insulator	L: PEEK (UL 94 / V-0/1.5)
Rated Current	5 Amps

Specifications

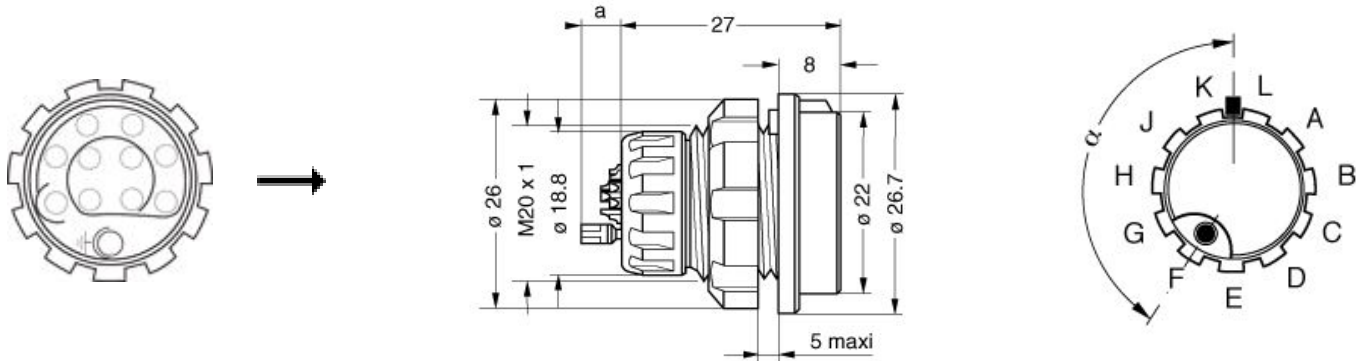
Contact Type: Special

Others

Endurance (Shell): >1000 mating cycles
Temp (min / max): -50°C / +150°C
F ret (min): 100 N
F ret (max): 200 N
Steam sterilization: 20 times

LEMO products and services are provided "as is". LEMO makes no warranties or representations with regard to LEMO product & services or use of them, express, implied or statutory, including for accuracy, completeness, or security. The user is fully responsible for his products and applications using LEMO components.

DRAWINGS



Dimensions

	A	N	a
mm.	26.7	27	4.7
in.	1,05	1,06	0,19

RECOMMENDED BY LEMO

Tools

LEMO products and services are provided "as is". LEMO makes no warranties or representations with regard to LEMO product & services or use of them, express, implied or statutory, including for accuracy, completeness, or security. The user is fully responsible for his products and applications using LEMO components.

Mouser Electronics

Authorized Distributor

Click to View Pricing, Inventory, Delivery & Lifecycle Information:

[LEMO:](#)

[EGG.3P.310.PLWJ](#)