

## SUMMARY



Image is for illustrative purpose only

### # Wires

Fiber optic 1

Series 2B

Termination type

IP rating 50

AWG wire size 30.00 - 22.00

Cable Ø 0.00 - 0.00 mm

Status active

Matching parts [FGG.2B.96J.CLAD52Z](#)

### Download

[Request a quote](#)

[Catalog](#)

## TECHNICAL DETAILS

### Mechanics

Shell Style/Model EG\*: Fixed receptacle, nut fixing

Keying 1 key (alpha=0, plug: male contacts, receptacle: female contacts)

Housing Material Brass (chrome plated [SAE AMS 2460]) shell and collet nut, nickel plated [SAE AMS QQ N 290] brass latch sleeve and mid pieces

Weight 14.23 g

### Performance

Configuration 2B.96J : 1 FO Type F1, 10 LV

Insulator L: PEEK (UL 94 / V-0/1.5)

Rated Current 6 Amps

### Specifications

Fiber Optic Contact: Type F1 (must be ordered separately)

Vtest (contact-shell): 1050 V (AC), 1490 V (DC)

Vtest (contact-contact): 1300 V (AC), 1840 V (DC)

### Others

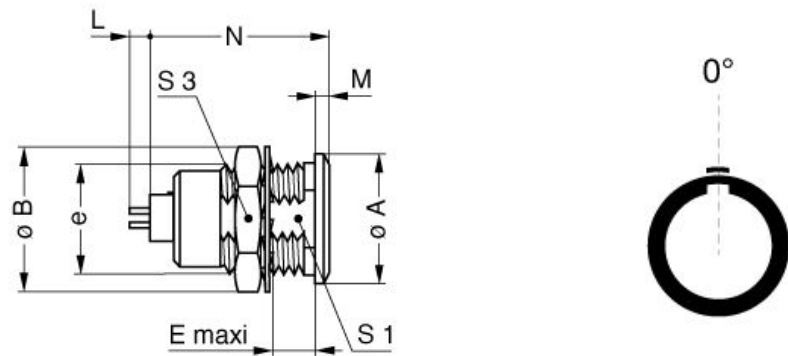
Endurance (Shell): 5000

Temp (min / max): -40°C / +80°C

LEMO products and services are provided "as is". LEMO makes no warranties or representations with regard to LEMO product & services or use of them, express, implied or statutory, including for accuracy, completeness, or security. The user is fully responsible for his products and applications using LEMO components.

Humidity (max): <=95% [at 60 deg C /140 F]  
 Vibration: 15 g [10 Hz - 2000 Hz]  
 Shock Resistance: 100 g [ 6 ms]  
 Climatical Category: 50/175/21  
 Shielding (min): 75 dB (10 MHz)  
 Shielding (min): 40 dB (1 GHz)  
 Salt Spray Corrosion: >1000 hr

## DRAWINGS



### Dimensions

	A	B	E	L	M	N	S1	S3	e
mm.	18	19.5	8.5	27.6	1.8	24.6	13.5	17	M15x1.0
in.	0,71	0,77	0,33	1,09	0,07	0,97	0,53	0,67	

## RECOMMENDED BY LEMO

### Tools

*LEMO products and services are provided "as is". LEMO makes no warranties or representations with regard to LEMO product & services or use of them, express, implied or statutory, including for accuracy, completeness, or security. The user is fully responsible for his products and applications using LEMO components.*

# Mouser Electronics

Authorized Distributor

Click to View Pricing, Inventory, Delivery & Lifecycle Information:

[LEMO:](#)

[EGG.2B.96J.CLN](#)