

SUMMARY



Image is for illustrative purpose only

Wires

Low voltage 10

Series	2M
Termination type	Female print PCB
IP rating	50
AWG wire size	30.00 - 22.00
Cable Ø	0.00 - 0.00 mm
Status	active
Matching parts	FMN.2M.310.XLC

Download

- [Request a quote](#)
- [PCB Eagle Pattern](#)
- [PCB Altium Pattern](#)
- [PCB KiCad Pattern](#)
- [Catalog](#)

TECHNICAL DETAILS

Mechanics

Shell Style/Model	EC*: Fixed receptacle with two nuts, for printed circuit
Keying	3 keys (beta=165, gamma=30, plug: male contacts, receptacle: female contacts)
Housing Material	Aluminium (nickel plated [SAE AMS QQ N 290], anthracite color) shell and nut, other pieces bronze/brass
Weight	10.47 g

Performance

Configuration	2M.310 : 10 Low Voltage
Insulator	L: PEEK
Rated Current	8 Amps

Specifications

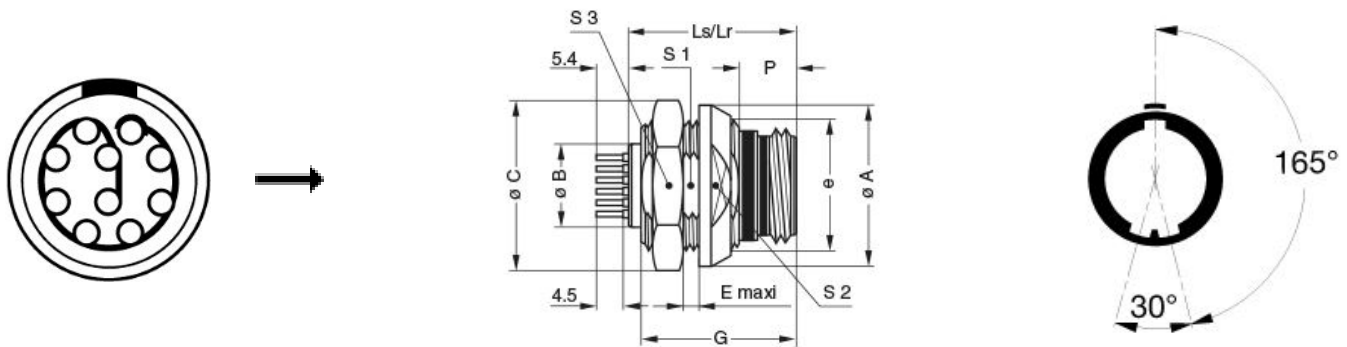
Contact Type: Print (straight)
Contact Dia.: 0.9 mm (0.035in)
R (max): 4.8 mOhm
Test voltage (kV rms) Contact-contact: 1.8
Test voltage (kV rms) Contact-shell: 1.2

Others

LEMO products and services are provided "as is". LEMO makes no warranties or representations with regard to LEMO product & services or use of them, express, implied or statutory, including for accuracy, completeness, or security. The user is fully responsible for his products and applications using LEMO components.

Endurance (Shell): 3000 mating cycles
 Temp (min / max): -20°C / +200°C
 Humidity (max): 21 days at 95%
 Gunfire vibration: 25 Hz - 2000 Hz, 3 axis (Apache helicopter)
 Vibration-Sine: 30 g, 3 axes, 12 hr [10 Hz - 2000 Hz]
 Vibration-Random: 37.8 g rms - 3 axes, 4 hr amb [50 Hz - 2000 Hz]
 Shock Resistance: 300 g [3 ms]
 Lighting strike EIA 364-75: 10K amps - 6 times
 Thermal shock: 5 cycles: -65°C to +150°C
 EMI Shielding EIA 364-66A: >= 80 dB (1 GHz), >=70 dB (3 GHz), >= 58 dB (6 GHz), >= 40 dB (10 GHz)
 Salt Spray Corrosion: max. 48 hr

DRAWINGS



Dimensions

	A	B	C	E	G	Lr	Ls	P	S1	S2	S3	e
mm.	21	8.95	21.5	4	16.8	18.3	18.3	5.3	15.5	18	19	M17x1.00
in.	0,83	0,35	0,85	0,16	0,66	0,72	0,72	0,21	0,61	0,71	0,75	

RECOMMENDED BY LEMO

Tools

Spanner wrench: [DCM.65.000.4PA](#)

LEMO products and services are provided "as is". LEMO makes no warranties or representations with regard to LEMO product & services or use of them, express, implied or statutory, including for accuracy, completeness, or security. The user is fully responsible for his products and applications using LEMO components.

LEMO products and services are provided "as is". LEMO makes no warranties or representations with regard to LEMO product & services or use of them, express, implied or statutory, including for accuracy, completeness, or security. The user is fully responsible for his products and applications using LEMO components.

Mouser Electronics

Authorized Distributor

Click to View Pricing, Inventory, Delivery & Lifecycle Information:

[LEMO:](#)

[ECN.2M.310.XLN](#)