

SUMMARY



Image is for illustrative purpose only

Wires

Low voltage 18

Series	2G
Termination type	Female solder
IP rating	50
AWG wire size	0.00 - 26.00
Cable Ø	0.00 - 0.00 mm
Status	active
Matching parts	FGG.2G.318.CLAD80

Download

[Request a quote](#)

[Catalog](#)

TECHNICAL DETAILS

Mechanics

Shell Style/Model	ECG*: Fixed receptacle with two nuts (back panel mounting)
Keying	1 key (alpha=0, plug: male contacts, receptacle: female contacts)
Housing Material	Brass (chrome plated [SAE AMS 2460]) shell and collet nut, nickel plated [SAE AMS QQ N 290] brass latch sleeve and mid pieces
Weight	13.94 g

Performance

Configuration	2G.318 : 18 Low Voltage
Insulator	L: PEEK (UL 94 / V-0/1.5)
Rated Current	5.5 Amps

Specifications

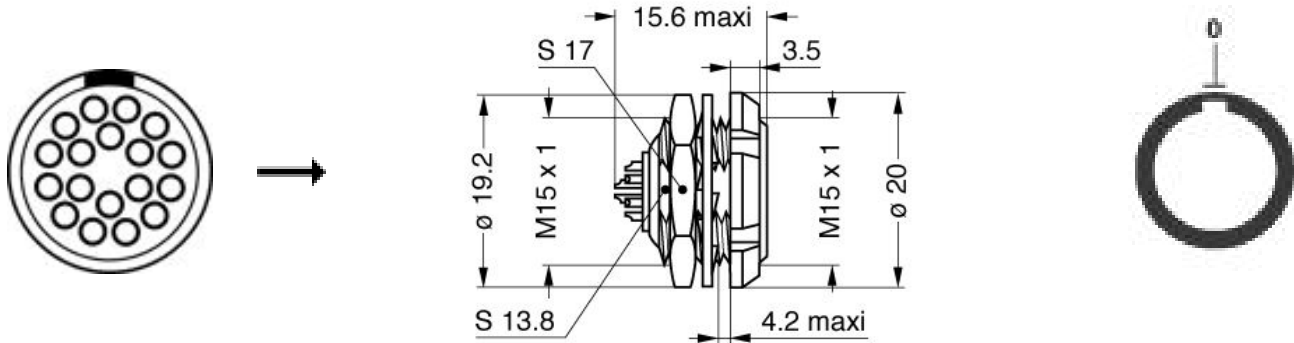
Contact Type: Solder
V_{test} (contact-shell): 1400 V (AC), 2000 V (DC)
V_{test} (contact-contact): 1400 V (AC), 2000 V (DC)

Others

Endurance (Shell): 500 mating cycles
Salt Spray Corrosion: >1000 hr

LEMO products and services are provided "as is". LEMO makes no warranties or representations with regard to LEMO product & services or use of them, express, implied or statutory, including for accuracy, completeness, or security. The user is fully responsible for his products and applications using LEMO components.

DRAWINGS



Dimensions

	A	L
mm.	20	15.6
in.	0,79	0,61

RECOMMENDED BY LEMO

Tools

LEMO products and services are provided "as is". LEMO makes no warranties or representations with regard to LEMO product & services or use of them, express, implied or statutory, including for accuracy, completeness, or security. The user is fully responsible for his products and applications using LEMO components.

Mouser Electronics

Authorized Distributor

Click to View Pricing, Inventory, Delivery & Lifecycle Information:

[LEMO:](#)

[ECG.2G.318.CLL](#)