

## SUMMARY

### # Wires

Low voltage 19



Image is for illustrative purpose only

Series	2P
Termination type	Female solder
IP rating	66
AWG wire size	30.00 - 22.00
Cable Ø	0.00 - 0.00 mm
Status	active
Matching parts	<a href="#">CFB.M19.GLA.C72RZ</a>

### Download

[Request a quote](#)

[Catalog](#)

## TECHNICAL DETAILS

### Mechanics

Shell Style/Model	CN*: Fixed receptacle, nut fixing, watertight (IP 66)
Keying	3 keys (alpha=0, gamma=60; Plug: male contacts; Receptacle: female contacts)
Housing Material	PSU (Polysulfone), gray
Weight	7.07 g

### Performance

Configuration	2P.M19 : 19 Low V.
Insulator	L: PEEK for solder contacts
Rated Current	5 Amps

### Specifications

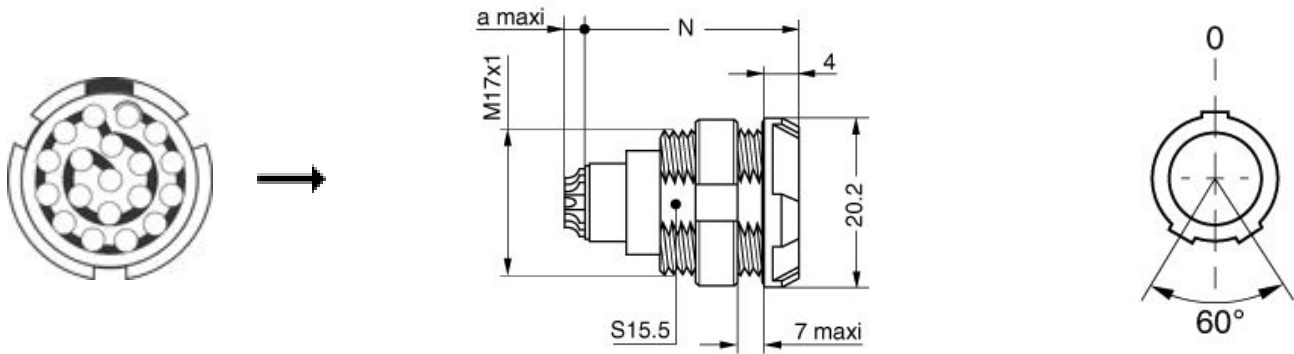
Contact Type:	Solder
Contact Dia.:	0.7 mm (0.027in)
Bucket Dia.:	0.8 mm (0.031in)
Test voltage (kV rms) Contact-contact:	1.4
Air clearance min.:	0.6 mm
Creepage distance min.:	0.6 mm

### Others

LEMO products and services are provided "as is". LEMO makes no warranties or representations with regard to LEMO product & services or use of them, express, implied or statutory, including for accuracy, completeness, or security. The user is fully responsible for his products and applications using LEMO components.

Endurance (Shell): >1000 mating cycles  
 Temp (min / max): -50°C / +150°C  
 F ret (min): 150 N  
 F ret (max): 250 N  
 Steam sterilization: 20 times

## DRAWINGS



### Dimensions

	L	N
mm.	28.7	23.8
in.	1,13	0,94

## RECOMMENDED BY LEMO

### Tools

*LEMO products and services are provided "as is". LEMO makes no warranties or representations with regard to LEMO product & services or use of them, express, implied or statutory, including for accuracy, completeness, or security. The user is fully responsible for his products and applications using LEMO components.*

# Mouser Electronics

Authorized Distributor

Click to View Pricing, Inventory, Delivery & Lifecycle Information:

[LEMO:](#)

[CNB.M19.GLLR](#)