

SUMMARY

Wires

Low voltage 32



Image is for illustrative purpose only

Series	2P
Termination type	Female solder
IP rating	50
AWG wire size	34.00 - 28.00
Cable Ø	0.00 - 0.00 mm
Status	active
Matching parts	CAB.M32.GLA.C72G

Download

[Request a quote](#)

[Catalog](#)

TECHNICAL DETAILS

Mechanics

Shell Style/Model	CK*: Fixed receptacle with two nuts (back panel mounting)
Keying	3 keys (alpha=0, gamma=60; Plug: male contacts; Receptacle: female contacts)
Housing Material	PSU (Polysulfone), gray
Weight	6.85 g

Performance

Configuration	2P.M32 : 32 Low V.
Insulator	L: PEEK for solder contacts
Rated Current	1.5 Amps

Specifications

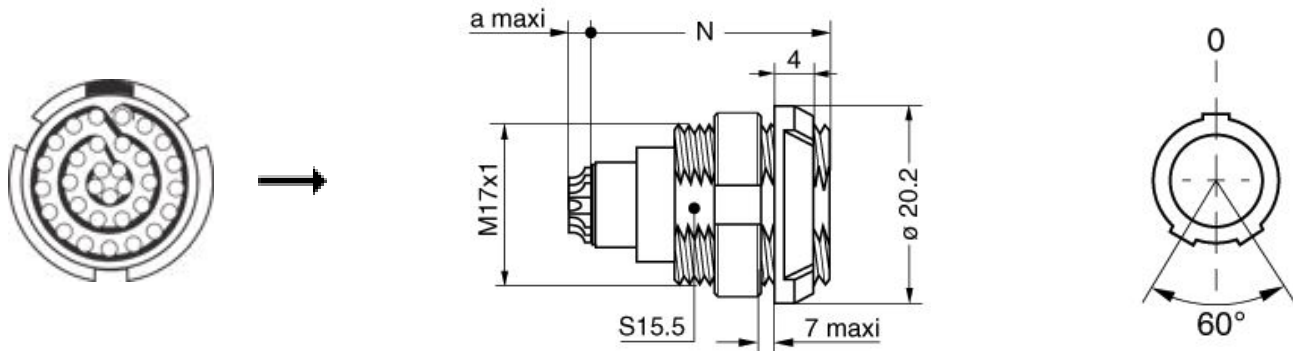
Contact Type:	Solder
Contact Dia.:	0.5 mm (0.019in)
Bucket Dia.:	0.5 mm (0.019in)
Test voltage (kV rms) Contact-contact:	0.7
Air clearance min.:	0.35 mm
Creepage distance min.:	0.35 mm

Others

LEMO products and services are provided "as is". LEMO makes no warranties or representations with regard to LEMO product & services or use of them, express, implied or statutory, including for accuracy, completeness, or security. The user is fully responsible for his products and applications using LEMO components.

Endurance (Shell): >1000 mating cycles
 Temp (min / max): -50°C / +150°C
 F ret (min): 150 N
 F ret (max): 250 N
 Steam sterilization: 20 times

DRAWINGS



Dimensions

	N	a
mm.	23.8	3.4-4.9
in.	0,94	0,13

RECOMMENDED BY LEMO

Tools

LEMO products and services are provided "as is". LEMO makes no warranties or representations with regard to LEMO product & services or use of them, express, implied or statutory, including for accuracy, completeness, or security. The user is fully responsible for his products and applications using LEMO components.

Mouser Electronics

Authorized Distributor

Click to View Pricing, Inventory, Delivery & Lifecycle Information:

[LEMO:](#)

[CKB.M32.GLLG](#)